

Hazarduos Area Electrical Differential Indicator DEH Series



PASSION TO PERFORM

DEH SERIES

Electrical Differential Indicators are used on the pressure line to check the efficiency of the filter element. They measure the pressure upstream and downstream of the filter element (differential pressure).

Suitable for all MP Filtri differential indicator port connections

Environmental properties

- Suitable for use in Zone 1 Gas and Zone 21 Dust
- Maximum surface temperature: Temperature class T4 (135°C) and T6 (85°C)
- Ambient temperature range: T4 (-60°C to +120°C)
- IP 66/67/68 cable version



BUILD OPTIONS		
Cable	Protection Class	Connections
<ul style="list-style-type: none"> • 5.0 m cable M20 and 1/2" NPT gland conduit options 	<ul style="list-style-type: none"> • EX ia: Intrinsically safe 	<ul style="list-style-type: none"> • 420 bar (6092 PSI) M12 connector
<ul style="list-style-type: none"> • Contact us for more options 	<ul style="list-style-type: none"> • Ex d: Flameproof 	

Applications

- Marine
- Mining
- Petrochemical
- Offshore oil and gas
- Saw mills
- Paper mills
- Car plants
- Industrial plants
- Power generation
- Storage silos
- Hazardous environments



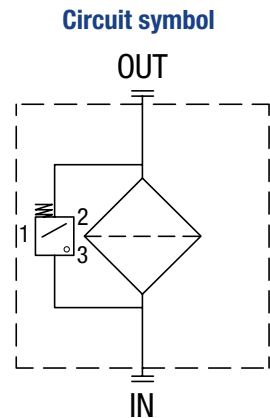


Filter elements are efficient only if their dirt holding capacity is fully exploited. This is achieved by using filter housings equipped with clogging indicators.

These devices trip when the clogging of the filter element causes an increasing in-pressure drop across the filter element.

The indicator is set to alarm before the element becomes fully clogged. This indicator will minimise the frequency of replacing filter elements as well as maximising the performance of each filter.

- Constructed from AISI 316L stainless steel
- 420 bar (6092 PSI) maximum working pressure
- Approved for use in hazardous environments
- ATEX, IECEx, UL/CSA, EAC TR CU and INMETRO certified



Performance Data

- Endurance tested up to 1,000,000 cycles at max working pressure
- Burst tested at 3x maximum pressure

Current Ratings

- 830 mA / 24 Vdc
- 180 mA / 110 Vac

Specification

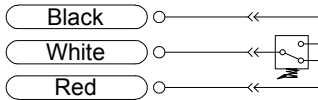
- Temperature class T4 (135°C) and T6 (85°C)
- Protection grade IP 66/67/68 when used with suitable cable gland
- Indication range from 2 bar to 10 bar
- Suitable for use with all MP Filtri stainless steel pressure filters and cast iron pressure filters

HAZARDOUS AREA ELECTRICAL DIFFERENTIAL INDICATOR

DEH 48 SERIES - 5 METER THREE-CORE CABLE INDICATOR Ex ia IIC T4/T6 M20

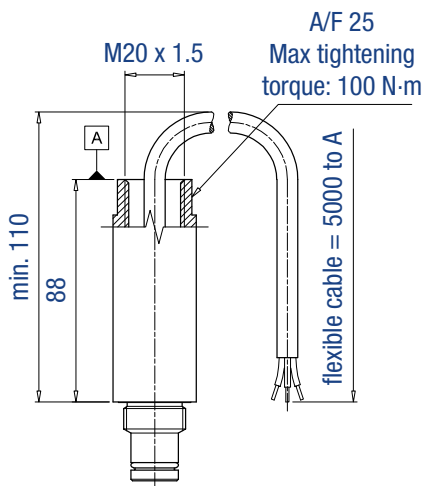


Connection diagram



Certification / Approvals

- ATEX, IECEx, EAC TR CU, INMETRO, Ex ia IIC T4/T6
- Certification included as standard



Dimensions in mm

PROPERTIES

Housing material	AISI 316L Stainless steel
Body shape	Cylindrical
Connection type	M20 x 1.5 - Three-core polyrad cable supplied with 5 metres
Temperature range	-60 °C to +125 °C
Contact type	SPCO/SPDT (Hermetically sealed - Volt-Free contacts)
Contact material	Rhodium (tungsten optional)
Dimensions	114 x 28 mm
Ingress Protection	IP 66/67/68

Electrical ratings

Ui	Li	Pi
30 Vdc	250 mA	1.3 W

HAZARDOUS AREA ELECTRICAL DIFFERENTIAL INDICATOR

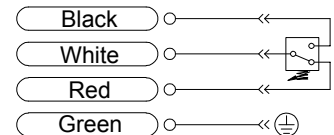
DEH 49 SERIES - 5 METER FOUR-CORE CABLE INDICATOR Ex d IIC T4/T6 1/2" NPT



Certification / Approvals

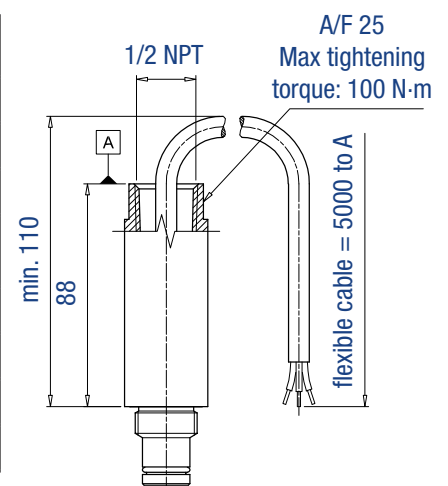
- ATEX, IECEx, EAC TR CU, INMETRO, Ex d IIC T4/T6
- UL/CSA Class I Division 1 Groups A-D
- UL/CSA Class II Division 1 Groups E-G
- Certification included as standard

Connection diagram



PROPERTIES	
Housing material	AISI 316L Stainless steel
Body shape	Cylindrical
Connection type	1/2" NPT - 3 core polyrad cable supplied with 5 metres
Temperature range	-60 °C to +120 °C - ATEX, IECEx, EAC TR CU, INMETRO -60 °C to +105 °C - UL/CSA
Contact type	SPCO/SPDT (Hermetically sealed - volt free contacts)
Contact material	Rhodium (tungsten optional)
Dimensions	114 x 28 mm
Ingress Protection	IP 66/67/68

Electrical ratings			
Supply Voltage	Maximum switching current	Maximum voltage	Power
24 Vdc	830 mA	150 Vac/dc	20 W (VA)
110 Vac	180 mA		



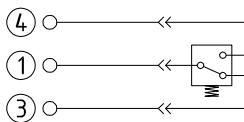
Dimensions in mm

HAZARDOUS AREA ELECTRICAL DIFFERENTIAL INDICATOR

DEH 70 SERIES - M12 INDICATOR Ex ia IIC T6 RESIN SWITCH

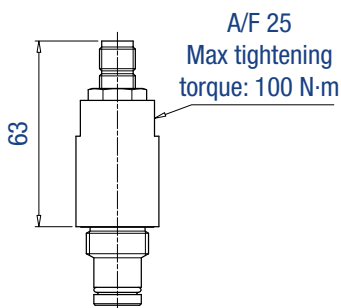


Connection diagram



Certification / Approvals

- ATEX, IECEx, EAC TR CU, INMETRO, Ex ia IIC T6
- Certification included as standard



Dimensions in mm

PROPERTIES

Housing material	AISI 316L Stainless steel housing with internal engineered resin switch
Body shape	Cylindrical
Connection type	4 pole male M12 connector - plastic
Temperature range	-20 °C to +80 °C
Contact type	SPCO/SPDT (Hermetically sealed - volt free contacts)
Contact material	Rhodium
Dimensions	90 x 28 mm
Ingress Protection	IP 66/67

Electrical ratings

Ui	Li	Pi
30 Vdc	250 mA	1.3 W

DESIGNATION AND ORDERING CODE

SERIES	Configuration example	DE	H	50	F	A	70	P01
DE = Electrical Differential Indicator								
PRESSURE RATING								
H = 420 bar (6092 PSI)								
PRESSURE SETTING								
50 = 5 bar								
70 = 7 bar								
95 = 9.5 bar								
SEALS								
V = FPM								
F = MFQ								
* Other options available on request								
THERMOSTAT								
A = Without								
CONNECTION								
48 = M20 Ex ia								
49 = 1/2" NPT Ex d								
70 = M12 Ex ia								
EXECUTION								
P01= MP Filtri Standard								

Certification included as standard

EXPLORE OUR RANGE OF FILTERS

Stainless In-line filter

- FZH 010-011 maximum pressure: 700 bar (10,152 PSI)*
- FZP 039 maximum pressure: 420 bar (6092 PSI)
- FZH 039 maximum pressure 700 bar (10,152 PSI)*
- FZP 136 maximum pressure 420 bar (6,091 PSI)

* Provided max working pressure is limited to 420 bar

Stainless Manifold mounting

- FZB 039 maximum pressure: 320 bar (4,641PSI)
- FZM 039 maximum pressure: 320 bar (4,641PSI)

Stainless Duplex pressure filter

- FZD 010 maximum pressure: 350 bar (5,076 PSI)
- FZD 021 maximum pressure: 350 bar (5,076 PSI)
- FZD 051 maximum pressure: 350 bar (5,076 PSI)

Standard High-Pressure Filters

- FHP maximum pressure: 420 bar (6,091 PSI)
- FMP maximum pressure: 110 bar/320 bar (1,595/4,641PSI)
- FMM maximum pressure: 420 bar (6,091 PSI)
- FHB maximum pressure: 320 bar (4,641PSI)
- FHM maximum pressure: 320 bar (4,641PSI)





WORLDWIDE NETWORK



HEADQUARTERS

8 BRANCHES

OVER 300 DISTRIBUTORS

Germany
France
USA
Russian Federation

China
United Kingdom
India
Canada



PASSION TO PERFORM

www.mpfiltri.com