



Operators Guide ICM 2.0

In-line Contamination Monitor



PRODUCT OVERVIEW

ICM 2.0 - In-Line Contamination Monitor

The ICM 2.0 automatically measures and displays particulate contamination, moisture and temperature levels in various hydraulic fluids. It is designed specifically to be mounted directly to systems, where ongoing measurement or analysis is required, and where space and costs are limited.

Features & Benefits

- 8 channel contamination measurement & display
- Measures and displays the following international standard formats: ISO 4406, NAS 1638, AS 4059E
- Moisture and temperature sensing (fluid dependent)
- Data logging and 4000 test result memory
- Manual, automatic and remote control flexibility
- Multicolour indicators via LCD (K versions) and LED with output alarm signals as standard
- Robust die cast aluminium construction
- LPA View software (included)
- Pressure max. 420 bar
- Environmental protection IP 65/67 versatile
- Secondary connector to allow the simultaneous control/download of results during operation
- Option available to download all results onto a USB stick, direct from the ICM 2.0
- A variety of communication protocols as standard, RS485, Modbus, CANbus, 4-20mA analogue output
- Live real-time monitoring
- Atex zone II options available (ICM 2.0 MK1 version)
- Free LPA View software Windows based



Product Presentation

The ICM 2.0 measures and quantifies the numbers of solid contaminants in Hydraulic, Lubrication and Transmission applications. The ICM 2.0-M is designed to be an accurate instrument for permanently installed applications utilising mineral oil as the operating fluid. Other fluid media versions are available for offshore [N] and aerospace phosphate ester [S] applications.

The unit can operate using any of the international standard formats ISO 4406, NAS 1638, AS 4059E/F and ISO 11218.

The ICM 2.0 incorporates a machine connector for power and PLC connection, capable of RS485, CANbus or 4-20mA signaling. A separate connector is also provided for simultaneous computer remote monitoring or settings access using RS485 or a USB:RS485 interface.

The integrated data logger records up to 4000 test results internally, for use where a computer cannot be permanently connected.

Simple switched inputs and alarm outputs are provided as alternative means of controlling the testing and signaling the results. The “full colour” front panel led provides a basic indication of the cleanliness level.

The instrument uses the light extinction principle whereby a specially collimated precision LED light source shines through the fluid and lands on a photodiode. When a particle passes through the beam it reduces the amount of light received by the diode, and from this change in condition, the size of the particle can be deduced.

Benefits

- Live real time monitoring
- Manual, automatic and remote control flexibility
- Moisture and temperature sensing
- Multicolour LCD and LED for clear visual indication of any faults and alarms
- Instant result download on USB versions

Product features

Moisture Sensor

ICM 2.0-W models measure water content using a capacitive RH (relative humidity) sensor. The result is expressed as percentage saturation. 100% RH corresponds to the point at which free water exists in the fluid, i.e. the fluid is no longer able to hold the water in a dissolved solution. This is also normally the point at which damage occurs in a hydraulic system, so is an ideal measurement scale that is independent of the fluid characteristics.

The water saturation point (100% RH) is temperature dependent, so the temperature is measured at the same time. This enables results to be compared meaningfully.

The temperature measured is that of the fluid passing through the unit. Note this may differ from that of the hydraulic system, depending on flow rate, pipe length and ambient temperature. It is not intended to be an accurate indication of system temperature, but to provide a reference for the RH measurement. Nevertheless experience has shown the temperature measured is within a few degrees of that of the hydraulic system, in most applications.

PRODUCT OVERVIEW

Data Logger

The ICM 2.0 includes a built-in data logger, which adds the facility to log and timestamp test results locally within an internal memory, even when not connected to a computer.

- Test logging is determined by the log settings (see section 5.3.3.7).
- Each log entry is time-stamped and contains the ICM 2.0 serial number, so that it can be identified later.
- The ICM 2.0 memory has space for around 4000 log entries. When full, the oldest log entry is overwritten.

See section 5.3.2 for details of how to download the test log via bespoke windows based software.

Data Transfer via USB Stick

The U version of the ICM 2.0 allows direct download via a USB memory stick. With the ICM 2.0 powered up, plug the USB stick into the USB connector at the top of the unit.

The screen / indicator will turn yellow briefly as it writes the test records to the USB stick. When complete, it will turn green and the stick can be removed. If there is a problem with the data transfer (stick full or corrupt or not recognised) then the screen / indicator will turn red. If this happens the operator can remove the stick and try again with an alternative.

The USB stick provided with the unit is pre-formatted for the transfer. Other USB sticks may need to be re-formatted (FAT32).

PLEASE NOTE: The USB option is not to be used for anything other than a memory stick for results download. Any subsequent use other than that intended may cause damage to the device

Status LED

All ICM 2.0 versions have a multicolour indicator on the front panel, which is used to indicate the status or alarm state. ICM 2.0-K versions also have a screen that changes colour. The alarm thresholds can be set from LPA-View via the serial interface.

Screen and multicolor indicators

- Green indicates that the test result passed, i.e. none of the alarm thresholds were exceeded
- Yellow indicates that the lower cleanliness limit was exceeded, but not the upper one
- Red indicates that the upper cleanliness limit was exceeded
- Blue indicates that the upper water content limit was exceeded
- Red/Blue Alternating indicates both cleanliness and water content upper limits exceeded
- Violet indicates that the upper temperature limit was exceeded



Disclaimer

Aspart of our policy of continual improvement, MP Filtri reserves the right to alter the specification without prior notification.



DECLARATION OF CONFORMITY

EC Declaration of Conformity

The products included in this Declaration are all variants of the following:

- With or without a moisture sensor
- Compatible with mineral oil/ synthetic fluids, offshore fluids, phosphate esters (inc. aerospace versions)
- With or without a keypad/ display
- With or without USB download
- With relay outputs
- With Modbus, CANbus and 4-20mA outputs

For part codes see the Designation & Ordering Code (section 4.8 on page 20).

Product Manufacturer:

MP Filtri UK
Bourton Industrial Estate
Bourton on the Water
Cheltenham
Gloucestershire
GL54 2HQ
01451 822522
sales@mpfiltri.co.uk

The products described are in conformity with the following directives:

2014/30/EU Electromagnetic Conformity

Certification Testing that has been carried out is in accordance with:

- DEF STAN 00-35 Part 3 issue 4 Environmental Test Methods
- BS EN 60068 range of standards covering environmental conditions
- BS EN 60529: 1992 + A2:2013 Degrees of Protection provided by enclosures (IP Code)
- BS EN 62262:2002 Degrees of Protection Provided for Electrical Equipment against External Mechanical Impacts (IK Code)
- BS EN 60721-3-4: 1995 Part 3: Classification of Groups of Environmental Parameters and their severities, Section 3.4

Date: July 2020

Signed
Phil Keep (Managing Director) on behalf of MP Filtri UK Ltd



| | Page |
|--|-----------|
| Product overview | 1 |
| EC Declaration of Conformity | 5 |
| Table of Contents | 6 |
| What this guide is for | 8 |
| | |
| 1 General warnings and information for the Operator | 10 |
| 1.1 General safety warnings | 10 |
| 1.2 Operator position and dangerous areas | 12 |
| 1.3 Dangers and Hazards that cannot be eliminated | 12 |
| 1.4 Personal Protective Equipment | 12 |
| | |
| 2 Transportation and Storage | 15 |
| 2.1 Transportation and Handling Conditions | 15 |
| 2.2 Storage | 15 |
| | |
| 3 Warranty, Limitations and Disclaimers | 16 |
| | |
| 4 Technical Specification | 18 |
| 4.1 Performance | 18 |
| 4.2 Electrical Interface | 18 |
| 4.3 Physical Attributes | 19 |
| 4.4 Fluid Characteristics | 19 |
| 4.5 Environment | 19 |
| 4.6 Wetted Parts List | 19 |
| 4.7 Dimensions | 20 |
| 4.8 Designation & Ordering code | 20 |
| | |
| 5 Product Installation and General Operation | 21 |
| 5.1 Installation | 21 |
| 5.1.1 Physical Procedure | 21 |
| 5.1.2 Electrical Interface | 22 |
| 5.1.3 Hydraulic Connection | 28 |
| 5.2 General Operation | 31 |
| 5.2.1 Physical Checks | 31 |
| 5.2.2 Front Panel Operation | 31 |
| 5.2.3 ICM 2.0 removal and Product Maintenance | 33 |
| 5.3 ICM 2.0 Control | 34 |
| 5.3.1 Computer Connection | 34 |
| 5.3.2 PC Software Operation | 35 |
| 5.3.3 Settings | 36 |
| 5.4 Standard Communication Protocols | 45 |
| 5.4.1 Modbus | 45 |
| 5.4.2 CANbus | 49 |
| 5.4.3 Analogue 4-20mA Modes | 52 |
| 5.5 Disposal | 55 |

TABLE OF CONTENTS

| | Page |
|--|-----------|
| 6 Related Products | 56 |
| 6.1 ICMRDU 2.0 | 56 |
| 6.2 ICMUSBI | 57 |
| 6.3 ICMFC | 57 |
| 6.4 Spares | 57 |
| 7 Troubleshooting / FAQ | 58 |
| 7.1 Misuse of Product | 58 |
| 7.2 Fault Finding | 58 |
| 7.2.1 LED Flashing / Fault Codes | 58 |
| 7.2.2 Test Status | 59 |
| 7.2.3 Other Faults | 59 |
| 7.3 Test Duration | 60 |
| 8 Reference | 62 |
| 8.1 Further Modbus Information | 62 |
| 8.1.1 Modbus Registers | 62 |
| 8.1.2 Implementing Modbus | 67 |
| 8.2 Further CANbus information | 68 |
| 8.2.1 Example Walkthrough | 68 |
| 8.2.2 Messages | 72 |
| 8.3 Hydraulic System Target Cleanliness Levels | 76 |
| 8.4 Clean Working Practices | 77 |
| 9 Service and Recalibration | 79 |
| 10 Fault Diagnosis | 80 |
| 10.1 Diagnosing suspect ICM 2.0 readings | 80 |

What this guide is for

This guide will take you through the installation and instructions for making the most out of your ICM 2.0. It contains detailed information to enable you to master the full functionality of the device, as well as key information on safety, warranty, maintenance and accessories.

We also recommend that you check out the new installation video on our Youtube channel for help in setting up the machine. It can be found here: <https://www.youtube.com/watch?v=wWf3NyWKQCc>.



You can also visit Youtube and search for “MP Filtri ICM 2.0 Installation”. At MP Filtri we are committed to customer service and hope this manual will help you to fully master the ICM 2.0.

Disclaimer

As a policy of continual improvement, MP Filtri reserves the right to alter the specification without prior notice.

OPERATOR'S GUIDE

1 General warnings and information for the Operator

1.1 General Safety Warnings

Do not operate, maintain or carry out any procedure before reading this manual. Any individual operating the unit shall wear the following Personal Protective Equipment:

- Protective eyewear
- Safety shoes
- Gloves
- Overalls (or other suitable protective clothing)

Before carrying out any machine installation procedures and/or before use, one should scrupulously follow the instructions listed in this manual. Moreover, it is necessary to comply with the current regulations related to occupational accident prevention and safety in the workplace.

Notices aimed at the prevention of health hazards for personnel operating the machine are highlighted in this document with signs having the following meaning:

It relates to important information concerning the product, its use or part of this documentation to which special attention must be paid



NOTE

It means that failure to comply with the relevant safety regulations may result in mild injury or property damage.



CAUTION

It means that failure to comply with the relevant safety regulations may result in death, serious injury or serious property damage.



DANGER

Failure to comply with the relevant safety regulations may result in death, serious injury or serious property damage.

GENERAL WARNINGS

To allow rapid identification of the employees who must read this manual, definitions have been used with the following meaning:

| | |
|--|---|
| OPERATOR | This is any individual whose task is to use the machine for production purposes. The operator is aware of all the measures taken by the machine manufacturer in order to eliminate any source of injury risk in the workplace and takes into account the operational constraints. |
| PERSONNEL INVOLVED IN SLINGING AND HOISTING OPERATIONS | This is any individual whose task is to handle the machine or parts of it. Personnel involved in slinging and hoisting operations are aware of the issues regarding the safe transfer of machinery or parts of it and, therefore, uses appropriate lifting equipment, following the instructions provided by the product manufacturer. |
| MACHINE SETTER | This is any individual whose task is to set up the machine for its operation. The machine setter is aware of the measures taken to eliminate all sources of injury risks in the workplace and takes into account the operational constraints. The machine setter takes all the appropriate precautions in order to operate in utmost safety conditions. |
| MAINTENANCE TECHNICIAN | This is any individual whose task is to carry out maintenance activities on the machine. The maintenance technician is aware of the possible danger situations that may arise and takes the appropriate precautions in order to eliminate the risks of accidents in the workplace. |
| ELECTRICIAN | This is any individual whose task is to carry out maintenance activities on the electrical wiring of the machine. The electrician is aware of the possible danger situations that may arise and takes the appropriate precautions in order to eliminate the risks of accidents in the workplace. |

1.2 Operator Position and Dangerous Areas

No operator is required for operating the unit. However, the following areas are to be considered dangerous: The ones close to the electric motor because of live equipment with potentially hot surfaces.

The unit shall be taken out of service and/or dismantled in accordance with the current regulations in force in the country where the machinery is installed



NOTE

The machinery is not suitable for outdoor use and all the electrical devices have a protection class starting from IP 65/67 upwards.



CAUTION

1.3 Dangers and Hazards that cannot be eliminated

- Electric shock risk on the electric motor; in case of motor malfunction
- Burn risk because of high temperatures
- Accidental oil leaks with consequent risk of slipping
- Hose breakage and resulting lubricant loss
- With oil temperatures exceeding 40/45 °C, it is vital to be extremely careful when handling the metal lances/the hoses and when moving the unit. Avoid direct contact with hot oil and with the filter body.

ALL EQUIPMENT SHOULD BE ALLOWED TO COOL PRIOR TO HANDLING, AFTER IT HAS BEEN IN USE

1.4 Personal Protective Equipment

When operating the unit, personnel must be wearing safety shoes, gloves and goggles. In general, the PPEs to be used according to the activities on the machinery are listed in the following table:

| ACTIVITY | PPE |
|---------------------|---------------------------------|
| Ordinary operation | Shoes, gloves, goggles, overall |
| Planned maintenance | Shoes, gloves, goggles, overall |



GENERAL WARNINGS



TRANSPORT / STORAGE

2 Transportation and Storage

2.1 Transportation and handling Conditions

The unit is shipped in a cardboard box, encased in polyurethane foam.

The packed weight of the ICM 2.0 and accessories is 2.5 kg.

2.2 Storage

The unit should be stored in a suitable location away from the production area when not in use. The unit should be stored with the caps provided on the ports. This location should not impede any other production or personnel.

3 Warranty, Limitations and Disclaimers

MP Filtri warrants that the products that it manufactures and sells will be free from defects in material, workmanship & performance for a period of 12 months from the date of shipment.

Hardware/Firmware

Should the hardware prove defective during the warranty period, MP Filtri, at its discretion, will either repair the defective product or replace it with an equivalent product in exchange for the defective unit without charge for parts, labour, carriage and insurance.

Software

MP Filtri warrants that software will operate substantially in accordance with its functional specification for 12 months from date of shipment provided that the integrity of the operating environment has not been compromised through misuse, inappropriate handling, abnormal operating conditions, neglect or damage (unintentional or otherwise) or the introduction of third party product (software or hardware) that in any way conflicts with the MP Filtri product.

Eligibility

This warranty extends to the original purchaser only or to the end-user client of a MP Filtri authorised affiliate.

How to obtain service?

To obtain service under the terms of this warranty, the customer is required to notify MP Filtri before the expiration of the warranty period and to return the item in accordance with MP Filtri product return policy. Any product returned for warranty repair must be accompanied by a full fault report specifying the symptoms and the conditions under which the fault occurs. Should MP Filtri incur additional cost as a result of a failure to complete the appropriate paperwork, an administrative charge may be levied.

Exclusions

This warranty shall not apply to any defect, failure or damage caused by improper use or improper or inadequate care. MP Filtri shall not be obligated to provide service under this warranty if:

- a) Damage has been caused by a failure to make a full and proper inspection of the product (as described by the documentation enclosed with the product at the time of shipment) on initial receipt of the product following shipment;
- b) Damage has been caused by the attempts of individuals, other than MP Filtri staff to repair or service the product;
- c) Damage has been caused by the improper use or a connection with incompatible equipment or product including software applications.

Charges

Under cover of this warranty, MP Filtri will pay the carriage and insurance charges for the shipment of defective product back to site of manufacture and for its return to the client's original site of despatch except when:

- a) MP Filtri product return policy has not been followed.
- b) Product failure is caused by any of the exclusions described above, when the customer will be liable for the full cost of the repair (parts and labour) plus all carriage and insurance costs to and from MP Filtri premises.
- c) The product is damaged in transit and a contributory cause is inadequate packaging. It is the customer's responsibility to ensure that the packaging used to return equipment to MP Filtri is the same, or has equivalent protective qualities, to that used to ship the product to the customer in the first instance. Any damage resulting from the use of inadequate packaging will nullify MP Filtri

WARRANTY

obligations under this warranty. Should the customer's product be damaged in transit following a repair at MP Filtri site, a full photographic record of the damage must be obtained (packaging and the product) to support any claim for recompense. Failure to present this evidence may limit MP Filtri obligations under this warranty.

THIS WARRANTY IS GIVEN BY MP FILTRI IN LIEU OF ANY OTHER WARRANTIES, EXPRESS OR IMPLIED, INCLUDING BUT NOT LIMITED TO ANY IMPLIED WARRANTY OF MERCHANTABILITY, NON INFRINGEMENT OR FITNESS FOR A PARTICULAR PURPOSE. MP FILTRI LTD SHALL NOT BE LIABLE FOR ANY SPECIAL, INDIRECT, INCIDENTAL OR CONSEQUENTIAL DAMAGES OR LOSSES (INCLUDING LOSS OF DATA), WE SPECIFICALLY DISCLAIM ANY AND ALL WARRANTIES TO CUSTOMERS OF THE CUSTOMER. THE CUSTOMER'S SOLE REMEDY FOR ANY BREACH OF WARRANTY IS THE REPAIR OR REPLACEMENT, AT MP FILTRI DISCRETION, OF THE FAILED PRODUCT.

MP Filtri Ltd maintains a policy of product improvement and reserves the right to modify the specifications without prior notice

3.1 Warranty on Recalibration

The ICM 2.0 is guaranteed for 12 months upon receipt of the ICM 2.0, subject to it being used for the purpose intended and operated in accordance with this User Guide.

MP Filtri will only verify the accuracy of the ICM 2.0 if the unit is recalibrated every 12 months.

Please ensure that the test results in the Log are downloaded to LPA-View before the ICM 2.0 is despatched, in case action taken by MP Filtri during the service / recalibration causes the Log to be cleared.



NOTE

It is requested that only the ICM 2.0, not the support case or any other ancillaries, be returned for recalibration.

MP Filtri will not be held responsible for any items returned as such.

Ensure that the ICM 2.0 is packed appropriately for transportation.

4. Technical specification

4.1 Performance

| | |
|------------------------------------|--|
| Technology | LED Based Light Extinction Automatic Optical Contamination Monitor |
| Particle Sizing | >4, 6, 14, 21, 25, 38, 50, 70 µm |
| Analysis range | ISO 4406 Code 0 to 25 NAS 1638 Class 00 to 12 AS4059 Rev E Table 1 & 2 Sizes A-F: 000 Please Note: (Lower Limits are Test Time dependent) If system cleanliness is expected to be above 22/21/18 or approx. NAS 12 |
| Calibration | Each unit individually calibrated with ISO Medium Test Dust (MTD) based on ISO 11171, on equipment certified by I.F.T.S. ISO 11943 |
| Moisture & Temperature Measurement | % saturation (RH) and fluid temperature (°C) - Mineral Oil / Diesel version only |
| Accuracy | ±½ ISO code for 4, 6, 14 µm ±1 code for 21, 25, 38, 50, 70 µm ±3°C ±3%RH |

4.2 Electrical Interface

| | |
|-----------------------|--|
| Supply Voltage | 9-36V DC |
| Supply Current | 12V 24V 36V 150mA 80mA 60mA K version 70mA 40mA 30mA NON-K version |
| Power Consumption | 2.2W max |
| Test Time | Adjustable 10 - 3600 seconds (factory set to 120s) |
| Data Storage | Approximately 4000 timestamped tests in the integral ICM 2.0 memory |
| Keypad & LCD | 6 keys, 128x64 pixels, back-lit graphical display |
| Communication Options | RS485 Modbus CANbus 4-20mA |

TECHNICAL SPECIFICATION

4.3 Physical Attributes

| | |
|---------------|--|
| Dimensions | 123 mm (H) x 142 mm (W) x 65 mm (D) |
| Mounting | 2 holes Ø7 mm 126 mm apart |
| Weight | 2.5 kg |
| Connections | G1 M16x2 hydraulic connection G3 1/4" BSPP Female Port G4 7/16 UNF Female Port |
| Seal Material | M/N Version - Viton® (contact MP Filtri for any fluids that are incompatible with Viton® seals) S Version - Perfluoroelastomer |

4.4 Fluid Characteristics

| | |
|-----------------------|---|
| Fluid compatibility | M version - mineral oils, synthetic fluids and diesel N version - water based/ subsea fluids & M version fluids S version - Aerospace phosphate esters, Skydrols® and N & M version fluids. |
| Viscosity | ≤ 1000 cSt |
| Fluid temperature | -25°C to +80°C |
| Operating Flow Rate | 20-400 ml/min |
| Maximum Pressure | 420 bar static (for high frequency pressure pulse applications contact MP Filtri) |
| Differential Pressure | Typically 0.5 bar |

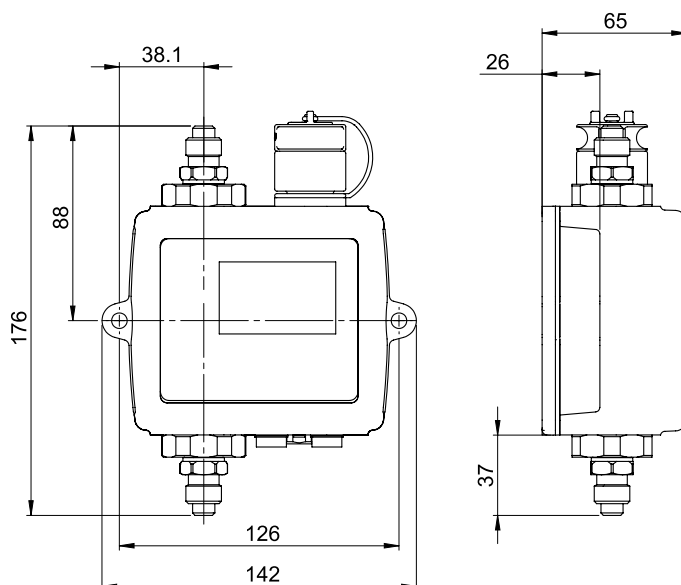
4.5 Environment

| | |
|-----------------------------|---|
| Ambient working temperature | -25°C to 80°C non K version / -25°C to 55°C K version |
| IP Rating | IP 65/67 |
| IK Rating | IK04 |

4.6 Wetted parts list

| M Version | N Version | S Version |
|--|--|--|
| Copper Alloy C46400 | Stainless Steel | Stainless Steel |
| Stainless Steel | Sapphire (Al ₂ O ₃) | Sapphire (Al ₂ O ₃) |
| Sapphire (Al ₂ O ₃) | Viton® | Perfluoroelastomer |
| Viton® | PTFE | PTFE |
| PTFE | | EPDM |
| FR4 | | |

4.7 Dimensions



It is important to ensure a 0.5 - 2 bar differential across the ICM 2.0

The ICM 2.0 can be used as a standalone product or can be controlled by external PC, PLC or the ICMRDU 2.0 (Remote Display Unit. 10m control cable supplied as standard).

Note: The model shown here is ICM*KUG1 version.

4.8 Designation & Ordering code

AUTOMATIC PARTICLE COUNTER ICM 2.0

| Series | Configuration example: | ICM | W | M | K | R | G1 | 2.0 |
|--|------------------------|-----|---|---|---|---|----|-----|
| ICM In-Line Contamination Monitor | | | | | | | | |
| Moisture Sensor (RH%) | | | | | | | | |
| O Without moisture and temperature sensor | | | | | | | | |
| W With moisture and temperature sensor | | | | | | | | |
| Fluid compatibility | | | | | | | | |
| M Mineral/synthetic oils | | | | | | | | |
| N Subsea fluids and water based fluids (*) | | | | | | | | |
| S Phosphate ester and aggressive fluids (*) | | | | | | | | |
| Keypad / Display | | | | | | | | |
| O Without keypad / display | | | | | | | | |
| K With keypad / display | | | | | | | | |
| Device output | | | | | | | | |
| R With relays / external alarm outputs | | | | | | | | |
| U Test record transfer (direct to USB stick) plus relays/external alarm outputs | | | | | | | | |
| Connections | | | | | | | | |
| G1 ICM 2.0 complete with M16 x 2 pressure test point connections fitted | | | | | | | | |
| G3 1/4" BSP - Female port | | | | | | | | |
| G4 7/16" UNF - Female port | | | | | | | | |
| Series | | | | | | | | |
| 2.0 | | | | | | | | |

(*) **N** and **S** version, moisture sensor (**W**) not available

TECHNICAL SPECIFICATION

5. Product Installation and General Operation

5.1 Installation

Scope of supply:

- ICM 2.0
- Calibration certificate
- USB Stick which includes: Product User Guides, LPA-View software, accessory product drivers and product brochures
- Pre-wired 3m cable
- Quick Start Guides

Optional Equipment:

- 11.112: 3m twisted pair cable assembly
- ICMRDU 2.0 Remote display unit
- 11.615: 600um coarse screen filter, 1/4"BSPP Female ports
- ICMFC1 Flow Control Valve
- ICMUSBi USB adaptor with pre-wired ICM cable
- ICMETHi RJ-45 adaptor with pre-wired ICM cable

5.1.1 Physical Procedure

- Decide on tapping points in hydraulic circuit
- Locate the unit mechanically and bolt to desired location using fixing holes provided. The ICM 2.0 must be in a vertical orientation, with the oil flowing upwards through it
- Wire back to junction box
- Check flow in acceptable range. There needs to be a differential pressure of more than approximately 0.5 bar placed across the ICM 2.0, such that a flow of fluid is generated within the range of the unit.
- If there is no suitable differential pressure available, then a flow controller will be needed. One solution is the ICM-FC1 pressure compensated flow control valve. This limits the flow to around 200ml/minute for differential pressures up to 400 bar. This should be fitted to the drain side of the ICM 2.0 (the top fitting).
- Fix mechanically
- Connect hoses or hard pipe from the system
- There must be no extra restriction placed in the drain hose. Do not have a pipe going to a restrictor to control flow. Any such restrictor must be mounted directly to the ICM 2.0 drain fitting. (A) - Fluid flow must be from the bottom fitting to the top, following the direction of flow arrow on the product labelling i.e. the bottom fitting is the inlet and the top fitting is the outlet.
- Fit electrical connector, wire back to a junction box.

(A) This is because any length of pipe between the ICM 2.0 and a downstream restrictor can act as an accumulator. Any pressure pulsations (for example from a pump) in the feed to the ICM 2.0 are then translated into pulsations in flow rate, sometimes leading to flow reversals in time with the pulsations. If the flow is very low this can sweep the same particle backwards and forwards through the sensing volume multiple times, confusing the results.

5.1.2 Electrical Interface

MP Filtri's separate ICM-USBi product is available for those wishing to have a simple plug and play solution providing both mains power and connection of the ICM 2.0 to a computer (note: internally, there is also a secondary terminal connection for hard wire of external alarm outputs). This section is for those wishing to do their own wiring to the product.

5.1.2.1 Electrical Connectors

The ICM 2.0 has two circular connectors located on the lower face of the unit. The USBi product can be connected to either one depending on the installation configuration, see figure 5.1.

| PIN | COLOUR | 'MACHINE' CONNECTOR | 'REMOTE' CONNECTOR |
|-----|--------|-----------------------|--------------------|
| 1 | Yellow | RS485+/CANL/4-20mA(A) | RS485+ |
| 2 | Pink | START INPUT | |
| 3 | Green | RS485-/CANH/4-20mA(B) | RS485- |
| 4 | White | OUTPUT 1 | |
| 5 | Grey | I/O COMMON | |
| 6 | Brown | OUTPUT 2 | |
| 7 | Blue | DC 0V | DC 0V |
| 8 | Red | DC +POWER | DC +POWER |

5.1.2.1.1 Remote Connector

The "remote connector" is intended for temporary connection of an external communication device e.g. ICMUSBi so as to allow data download, remote control or diagnostics using the LPA-View software.

This is the circular connector furthest from the hydraulic connection, see figure 5.1.

This carries RS485 data and can also be used to power the unit temporarily in the event of a system being shut down, thus no longer providing power to the unit.

This connector doesn't send alarm signals as shown in the wiring diagram 5.7. If you require a USBi to send alarm signals it has to be connected to the machine connector.

5.1.2.1.2 Machine Connector

The "machine connector" is intended for permanent connection to the PLC / machine that powers the ICM 2.0 during normal operation. It has power connections, a start signal input, two relay outputs, and a data pair that can be set to RS485, CANbus or 4-20mA signaling modes.

This is the circular connector closest to the hydraulic connection, see figure 5.1.

NOTE: If CANbus or 4-20mA option has been selected, standard communication with an RS485 adapter (e.g. USBi) on this port is no longer available. The right hand port (remote connector) should be used if temporary connection is required.

NOTE: Start signal and relay outputs only apply to this connector.

PRODUCT INSTALLATION

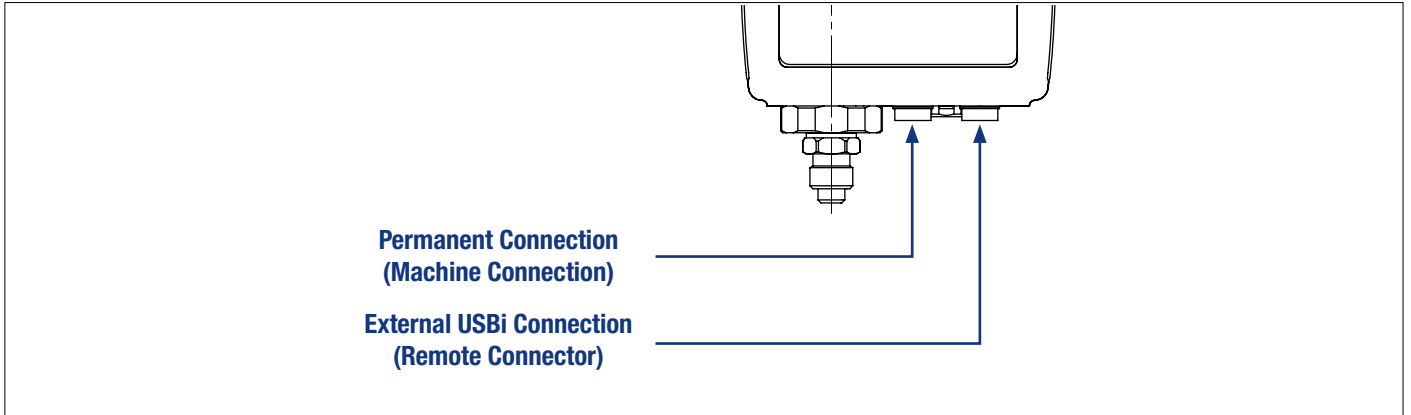


Figure 5.1 Connector Orientation

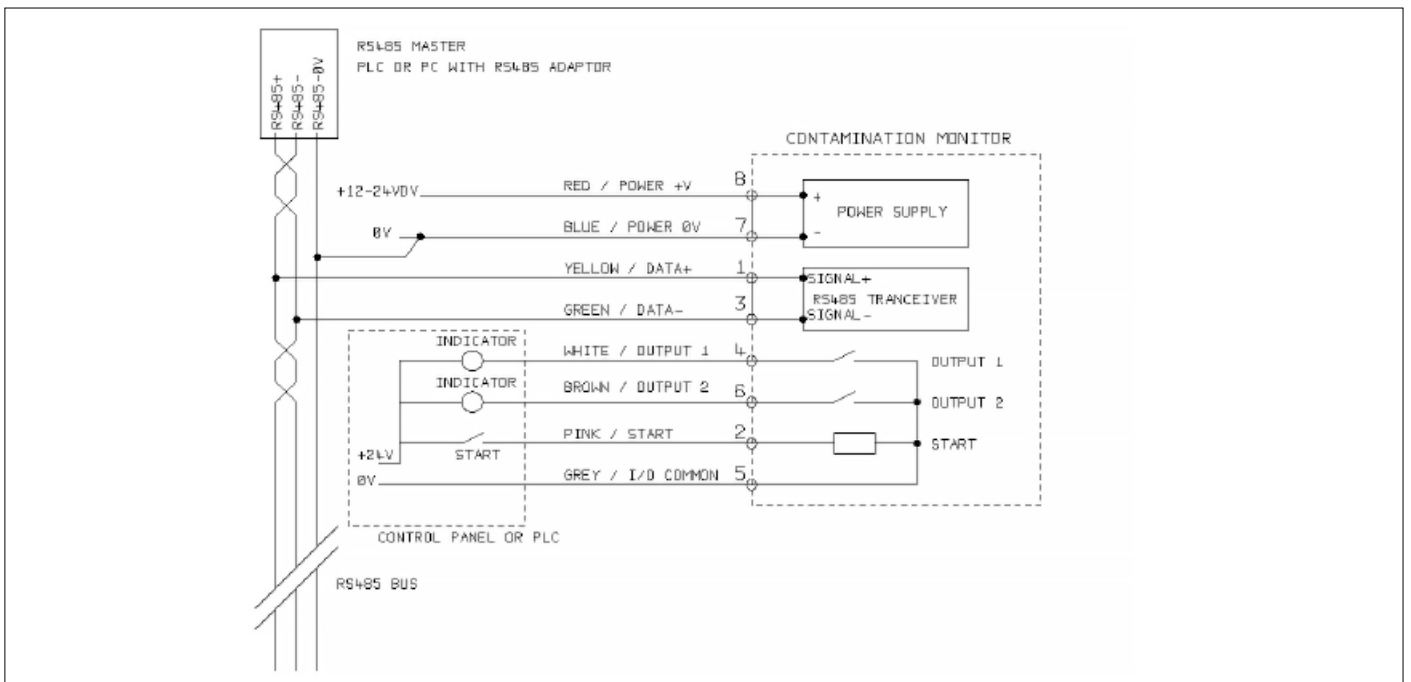


Figure 5.2 Machine Connector - External Wiring Example

5.1.2.2 DC Power

DC power is connected to pins 7 and 8 of either circular connector (Red and Blue if using the pre-wired cable). All the other signals are optional.

| Item | Minimum | Maximum |
|---------|---------|---------|
| Voltage | 9v DC | 36V DC |
| Current | - | 200mA |

5.1.2.3 Machine Connector - Serial Interface

An RS485 or CANbus interface can optionally be connected to pins 1 and 3 (yellow and green). This can be a PLC running customer software, or a PC with a RS485 adaptor running the supplied LPA-View software. To provide a reference the RS485 0V connection should also be linked to the ICM 2.0 0V (as shown on figure 5.3).

The standard ICM 2.0 control protocol is Modbus RTU. Modbus is a freely available open standard for industrial control. Adapters are available to interface to other industrial control busses. The standard LPA-View software from MP Filtri itself uses Modbus to communicate with the ICM 2.0, but it is also possible for customers to implement their own controllers (section Modbus).

The CANbus protocol can also be used, see separate ICM-CANbus manual.

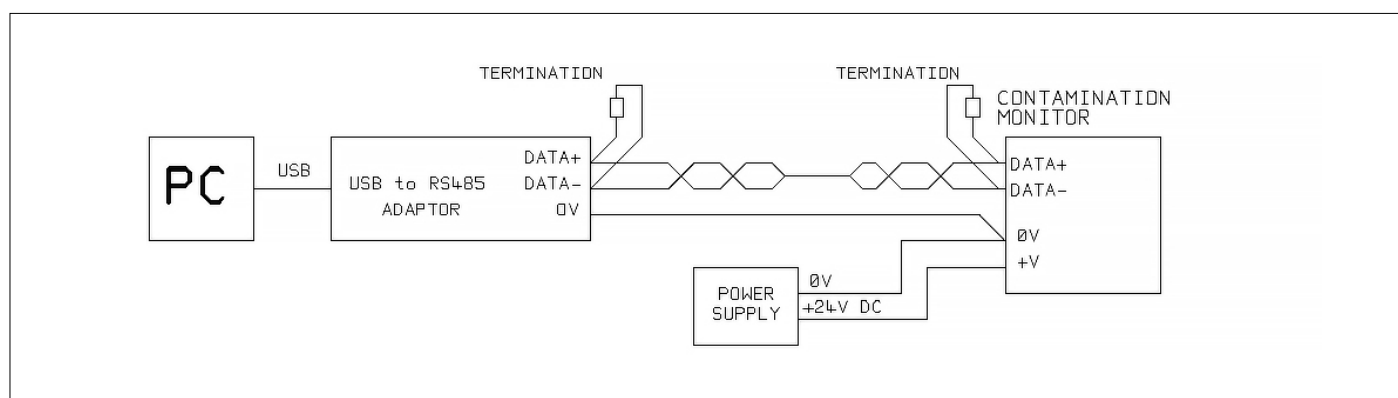


Figure 5.3a PC Control Example

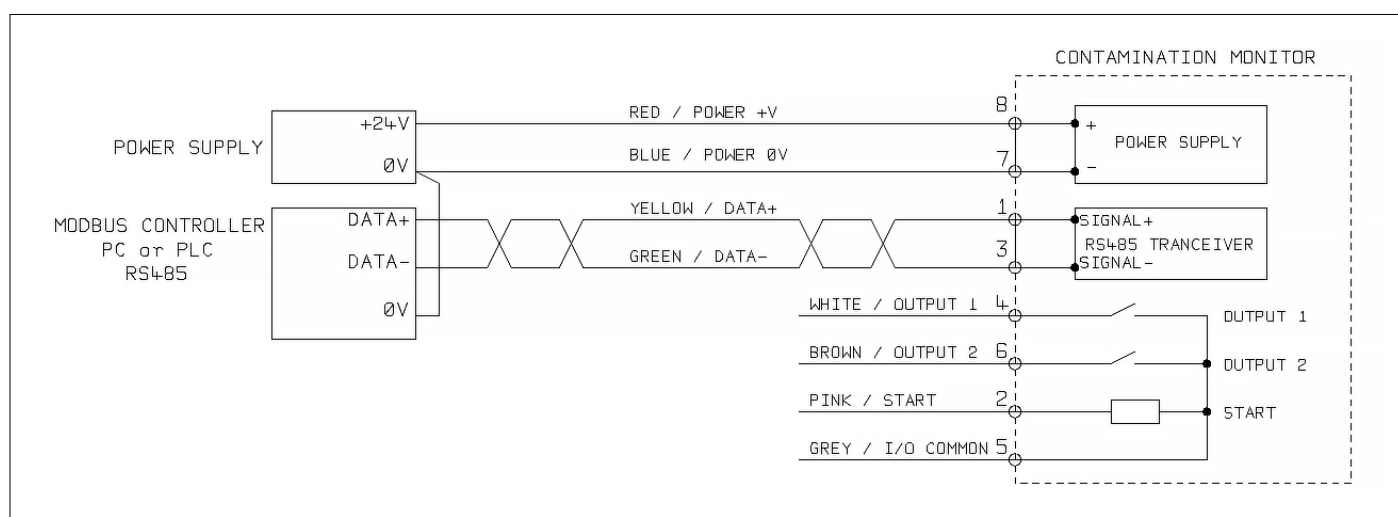


Figure 5.3b Modbus Controller Example

Figure 5.3a shows a single ICM 2.0 linked to a PC, using a USB-RS485 adaptor. Figure 5.3b shows a slightly different method. 100 Ohm termination resistors should be fitted as shown for long cables, for example over 10m. Twisted pair wiring should be used for any length over 2m.

PRODUCT INSTALLATION

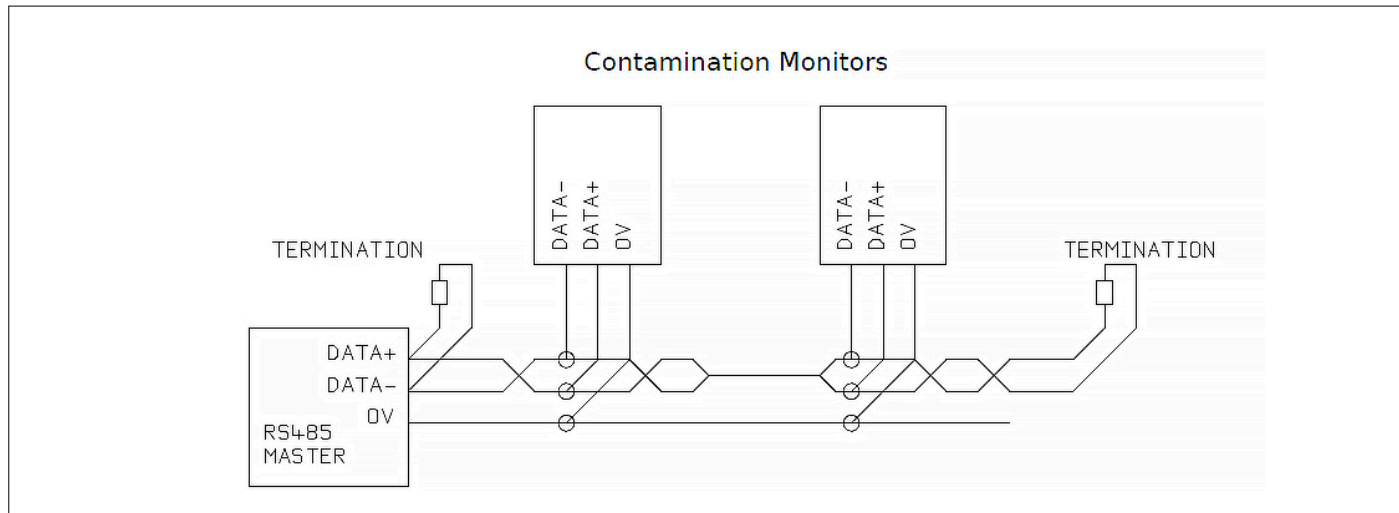


Figure 5.4 Multi-Drop Network Example

Figure 5.4 shows how to connect two or more ICM 2.0 devices to a multi-drop RS485 network. Any termination resistors should be fitted to the network cable ends only. Spurs off the main RS485 bus should be kept as short as possible, e.g. below 2m. Normally the pre-wired 3m cable available for the ICM 2.0 would be used, with a junction box to connect to the RS485 trunk. Either individual DC supplies can be used to power each ICM 2.0, or a single supply run through the trunk cable.

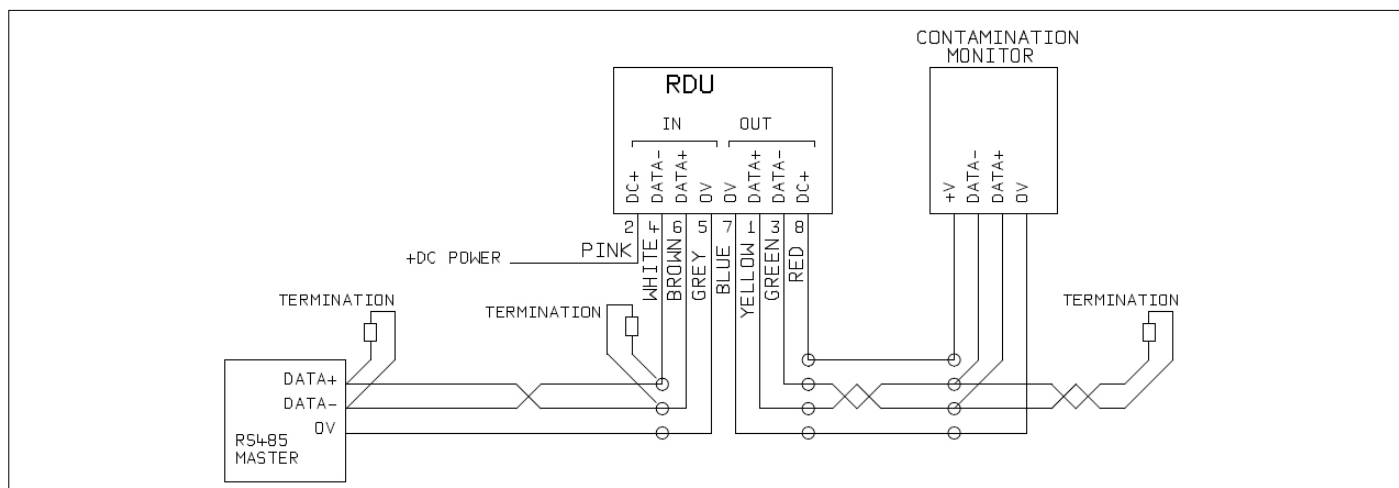


Figure 5.5 Remote Display Unit Including PC Controller Example

Figure 5.5 shows how to connect the ICMRDU Remote Display Unit. The RDU is used when the ICM 2.0 location is not convenient for an operator. It can control and monitor a remote ICM 2.0, as well as allowing an external controller to be connected to it (for data download, for example).

5.1.2.4 Switched Input and Output Signals

The ICM 2.0 has one switched input and two switched outputs. These can be used instead of, or in addition to, the RS485 interface for command and control. The RS485 interface is more flexible but requires more software work if LPA-View is not used (e.g. control from a PLC). An alternative is to control the ICM 2.0 via these switched I/Os, either from a PLC or using a manual switch and indicators.

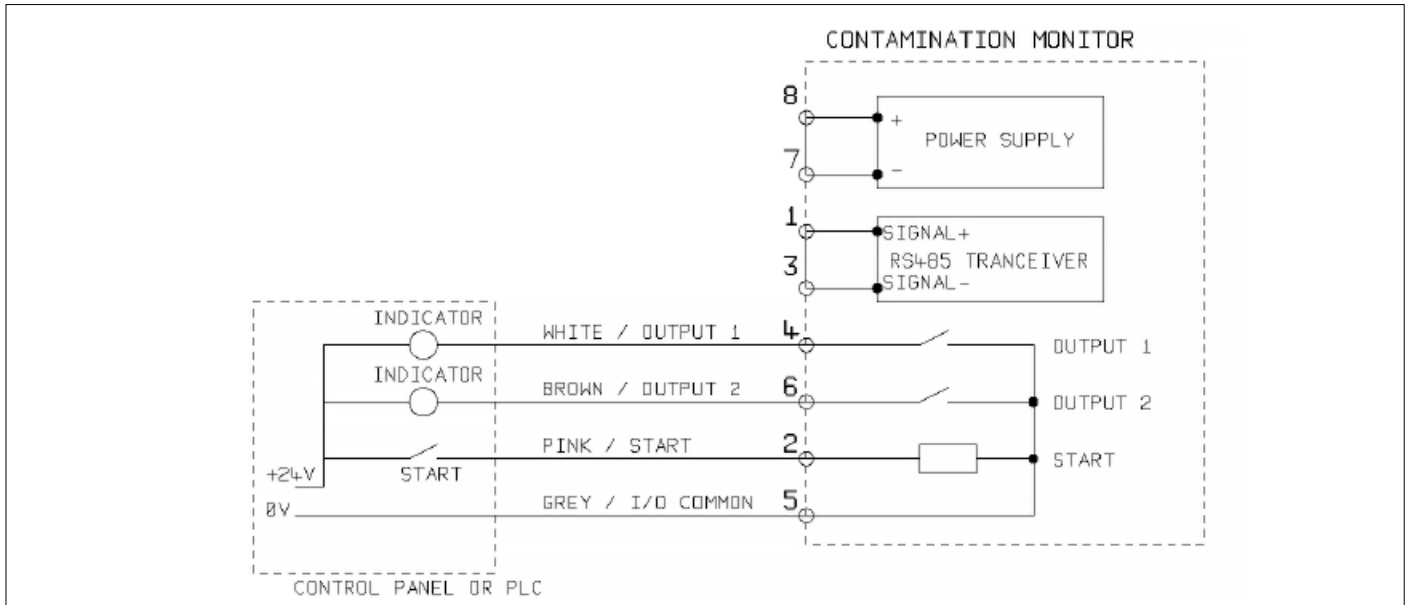


Figure 5.6 Switched I/O Signals

In order to reduce wiring the input and outputs all connect together on one side (see Figure 5.6). However they are optically isolated from the rest of the system so can be used to switch unrelated signals.

5.1.2.5 Start Signal

The “start signal” is an opto-isolated input that can be used to start a test, it can be used to ensure testing only occurs when the hydraulic system is running. For example, the start signal could be wired to go on and off with the main hydraulic pump or with a solenoid valve that allows fluid flow. That way the log does not fill up with invalid tests that were carried out with no flow.

This could be from a push button or a PLC output. The input accepts AC or DC signals, typically derived from the DC supply voltage. The exact function of this input is determined by the Test Mode setting.

| Item | Minimum | Maximum |
|-----------|----------|---------|
| Voltage | 9V DC | 36V DC |
| Impedance | 10k Ohms | - |

- When the START signal transitions from OFF to ON, the unit will start a new test or restart any test in progress.
- At the end of the test, the state of the START signal is checked
- If the START signal is still on at the end of a test, another test is started. So that testing continues while the START signal is held on.
- The switching off the start signal will operate as a STOP command. That is, it will abort any test in progress. It will continue to show and report the previous result.
- This new operation mode applies whether or not continuous testing is enabled.
- So for example if “continuous testing” and “stop testing when clean” are both enabled, and if the start signal is being held on throughout testing, then EITHER the start signal vanishing OR a clean result can terminate testing.

PRODUCT INSTALLATION

- This is not the same thing as the “start signal delimited test” option (“start signal defines test duration” in user settings when enabled). This is for using the start signal to control the duration of each *single* test, only.

Other ways to test are:

- From the ICM 2.0 front panel START button, if fitted (K Keyboard option)
- Via LPA-View or PLC Modbus command
- Periodic automatic testing according to a programmed test mode

5.1.2.6 Alarm Outputs

These are opto-isolated switches that can be used to signal external indicators, PLC inputs or other equipment (e.g. pump on/off control).

The exact function of these outputs is determined by the Alarm Mode setting (section 5.3.3.9).

The outputs are “voltage free” contacts that can switch AC or DC signals up to 36V nominal (60V absolute maximum peak voltage).

| Item | Minimum | Maximum |
|---------|---------|---------|
| Voltage | - | 36V DC |
| Current | - | 0.5A |

5.1.2.7 4-20mA Connection

See Figure 5.7 for a schematic.

The two 4-20mA outputs are sourced from the main supply voltage DC+. These may be connected to the 4-20mA inputs of a process indicator or a PLC. The 0V connection is then also normally connected to the PLC 0V.

The 4-20mA outputs can be converted to 0-5V outputs by connecting a 250 ohm resistor between each output and 0V. Similarly they can be converted to 0-10V outputs by connecting 500 ohm resistors.

For details of how the test results are represented by the 4-20mA signals, see section 5.4.3.

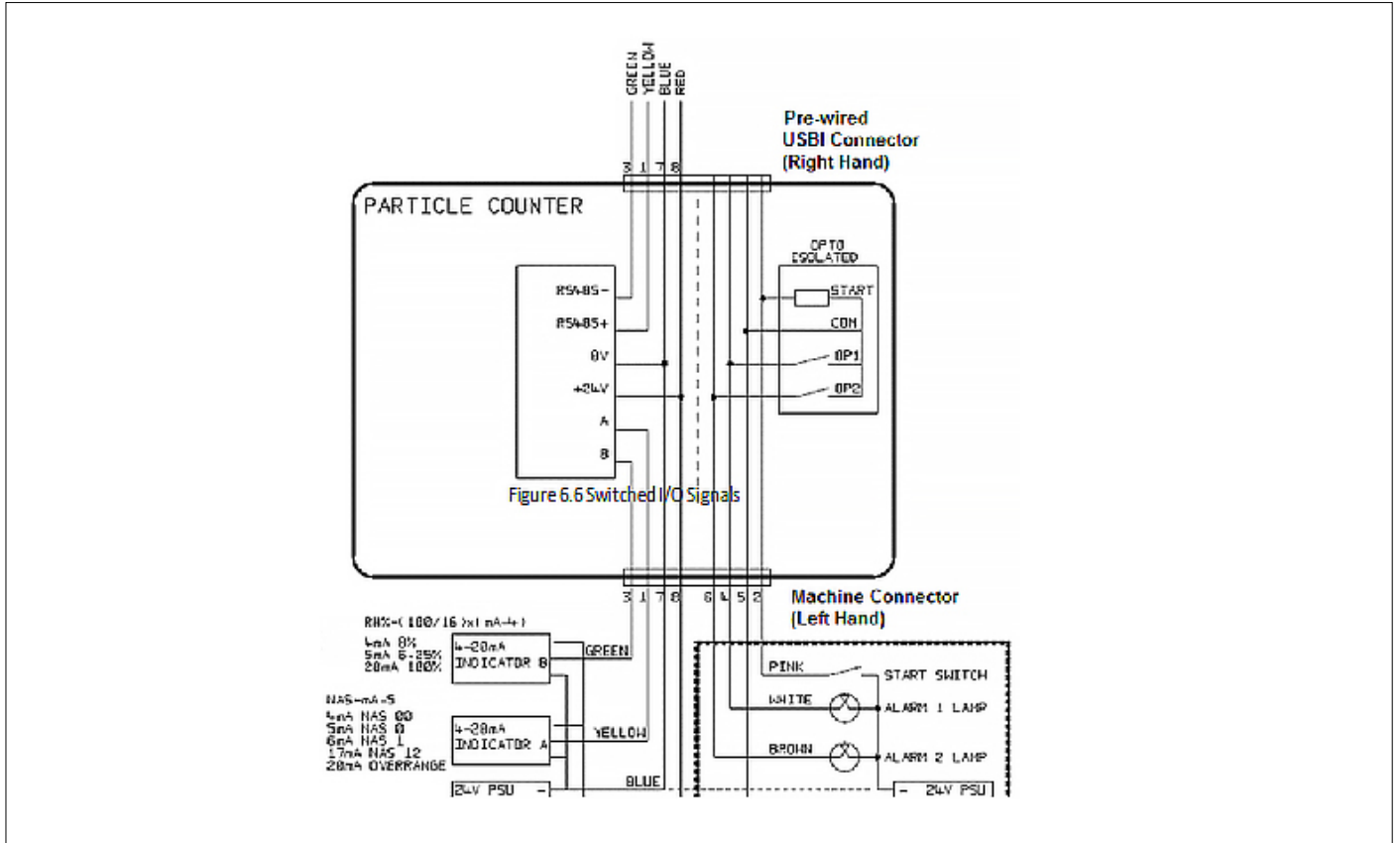


Figure 5.7 4-20mA Example

5.1.3 Hydraulic Connection

1 High or Low Pressure Parallel Connection

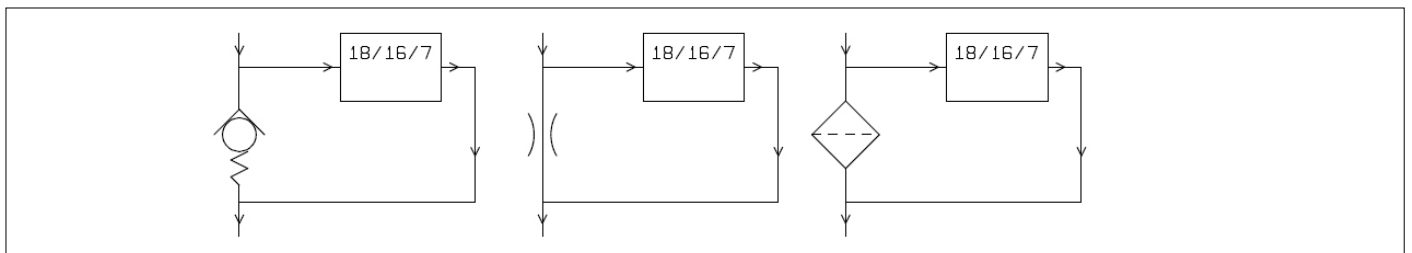


Figure 5.8 ICM 2.0 working pressure generated by hydraulic component

2 Low Pressure, Off-Line Operation

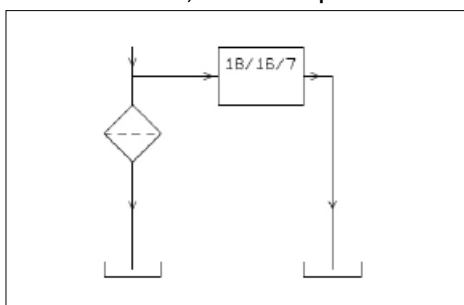


Figure 5.9 ICM 2.0 working pressure generated by hydraulic component

3 Very Low Flow Systems

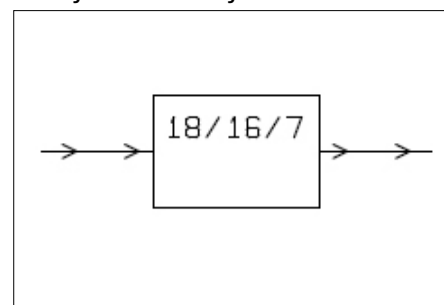


Figure 5.10 Entire system flow rate is within the range of the ICM 2.0

PRODUCT INSTALLATION

5.1.3.1 Flow Rate

For the majority of systems, a differential pressure of a few bar will generate an in-range flow for an ICM 2.0 connected using two 1.5 meter lengths of microbore pressure hose. The required differential pressure can be obtained by taking advantage of an existing pressure drop within the system. Alternatively one can be created by inserting a check valve. The ICM 2.0 can then be connected across this differential pressure source.

5.1.3.1.1 Detailed Calculations

In general the flow rate of fluid through the ICM 2.0 needs to be kept within the range of the unit (see hydraulic specification). The ICM 2.0 measures the flow during operation, so this can be used to check that the flow is correct.

A flow that is out of range will be indicated by a fault code.

Note: Results taken with out-of-range flows are not logged.

The flow is entirely generated by the differential pressure between the ends of the pipes used to connect the ICM 2.0. The pressure needed to generate an in-range flow can be estimated by assuming a target flow, and determining the resulting pressure drop across the ICM 2.0 and connection piping. Use Figure 5.10 to lookup the ICM 2.0 pressure drop, and manufacturers' data to lookup the piping pressure drop at the desired flow. The sum of these two pressures is the pressure needed.

The user connects the ICM 2.0 between two points in the hydraulic circuit that have this pressure difference.

In order to use the graph:

- Determine the working viscosity of the fluid, e.g. 30 cSt
- Decide on a desired flow rate. 200ml/minute is normally used since this is in the middle of the ICM 2.0 flow range. But 100ml/minute is also suitable and uses less oil
- Use the figure 5.11 to look up the pressure drop, across the ICM 2.0 ports, at this flow rate and viscosity. E.g. at 30cSt and 200ml/minute, this is 0.4 bar. The maximum and minimum allowed differential pressures can also be determined using the 400ml/min and 20ml/min lines, respectively.
- Determine the additional pressure drop caused by the piping used to connect the ICM 2.0. This may be negligible for 1/4 inch piping and over, but is very important for microbore hoses. This information can be found in the manufacturers catalogues. In the case of microbore hoses, at 30 cSt these have a pressure drop of around 10 bar per meter per lpm of flow. So a 2m total hose length would add a pressure drop of $2 \times 10 \times 0.2 = 4$ bar. (So in this case the pressure-flow relationship is mainly dependent on hose resistance).
- Add the ICM 2.0 pressure drop to that of the hoses, e.g. $4 + 0.4 = 4.4$ bar

When the required pressure drop has been found:

- See the figures at the start of this section for examples of where the ICM 2.0 could be connected
- If there is a pair of connections in the hydraulic circuit that operates with a differential pressure near to that calculated, then the ICM 2.0 can be connected there
- Alternatively, create the pressure drop by modifying the hydraulic system. For example, insert a check-valve in the circuit with a 4 bar spring. The "component" could also be a filter, a restrictor or even a piece of piping if it has a suitable pressure drop across it.
- If none of these options is feasible, then an active flow controller will likely be needed, see 5.1.2.3.

- Otherwise connect the ICM 2.0 across the points identified; taking care to maintain an upward flow of oil through the unit (this reduces trapped air).
- Of course in a real system the pressure and viscosity will vary with temperature and operating conditions. But since the working flow range of the ICM 2.0 is very wide, this should not be a problem provided it remains within range. On the graph the area between upper and lower lines represents the usable operating region for the ICM 2.0, with the middle line being ideal. The differential pressure and the viscosity can vary from the ideal, provided the system stays within the upper and lower lines. This ensures the flow stays within the working range of 20 - 400 ml/min. It can be seen that the unit will accommodate a 20:1 variation in either viscosity or differential pressure during operation.

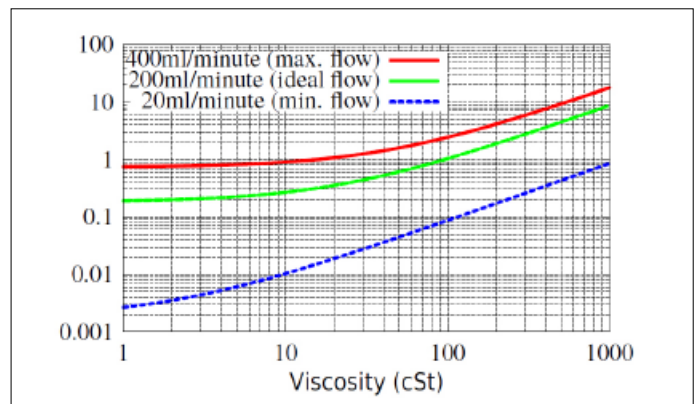


Figure 5.11
Differential Pressure vs Fluid Viscosity,
for various flow rates

5.1.3.2 Manual Flow Control

Another possibility is to fit a simple manual flow control (flow restrictor) to the outlet of the ICM 2.0.

- This should only be done where the available pressure is less than twice the maximum value calculated. This is because the small orifice size needed to control the flow from a pressure larger than this has a risk of blockage.
- The flow controller must be fitted to the outlet only. If fitted to the inlet it will have a filtering effect.
- The flow controller must be fitted directly to the ICM 2.0 outlet port.

5.1.3.3 Active Flow Control

This is only needed for operation at high differential pressures, where a too-high flow would otherwise be generated.

A pressure compensated flow control valve is fitted to the ICM 2.0 drain outlet. A suitable valve is the ICM-FC1 but other ones can be used too. This has the effect of a "flow limiter", maintaining a constant flow rate even with a varying inlet pressure (provided this pressure stays above a minimum working value). Below this pressure the valve is wide open so has little effect, i.e. the flow will be less than the 200ml/min controlled value. This "minimum working value" will be typically 5-10 bar but will vary with viscosity. For these lower pressures a flow control valve is not needed and other methods are better used to control flow as previously described.

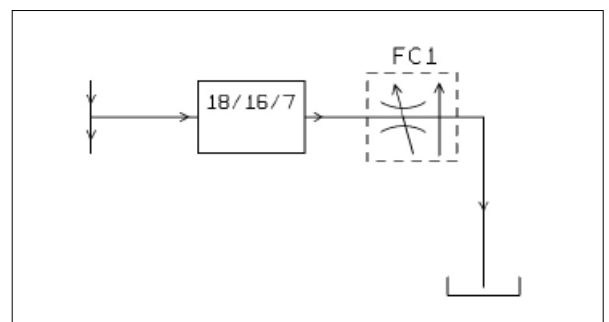


Figure 5.12
ICM 2.0 flow actively regulated

PRODUCT INSTALLATION

5.2 General Operation

5.2.1 Physical Checks

- Oil leaks on and around the unit
- Fatigue in hoses and pipework that might then leak when under system pressure

5.2.2 Front Panel Operation

5.2.2.1 Status LED

All ICM 2.0 versions have a multi-colour indicator on the front panel, which is used to indicate the status or alarm state. ICM 2.0-K versions also have a screen that changes colour. The alarm thresholds can be set from LPA-View via the serial interface.



Figure 5.13 Front panel of K version (left) and Non-K version (right) ICM 2.0

| Colour | Indication |
|-----------------------|---|
| Green | Indicates that the test result has passed, i.e. none of the alarm thresholds were exceeded |
| Yellow | Indicates that the lower cleanliness was exceeded, but not the upper one |
| Red | Indicates that the upper cleanliness was exceeded |
| Blue | Indicates that the upper water content limit was exceeded |
| Red/ Blue Alternating | Indicates both cleanliness and water content upper limits exceeded |
| Violet | Indicates that the upper temperature limit was exceeded |
| Red Flashing White | Various fault codes can be indicated by the LED turning red and then flashing white a number of times |

Please note: If the codes seem confusing, note that a given colour will only ever be seen if the corresponding limit has been specifically set by the user. So for example if a maximum temperature limit has not been set, the violet indication will never be seen. If all that is wanted is a “green or red” light, that can be arranged by simply setting only the cleanliness threshold maximum limit.

If the upper temperature alarm is set, this takes priority over the Contamination and Water alarms. In the event of an over temperature condition, the LED will turn violet only, whether or not there is also a contamination or water alarm condition. The rationale is that an over-temperature condition could be immediately catastrophic for the hydraulic system.


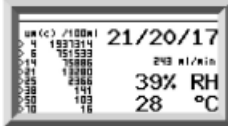

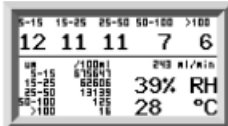
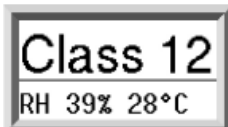
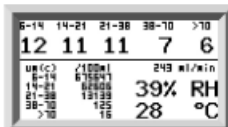
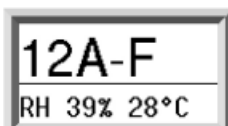
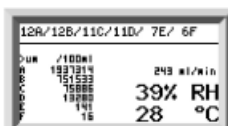
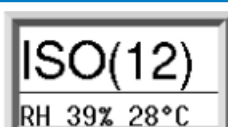
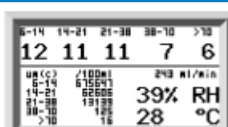
5.2.2.2 Front Panel Operation

5.2.2.2.1 Result Display

ICM 2.0-K models have a 6 button keypad and a small graphical LCD. This allows the display of the test result (current cleanliness level, with water content and temperature if applicable).

The graphical format allows a full display of all codes of the standards supported.

The unit powers up in “Display Mode”. This displays the test result in the selected format. The table below shows those available. The screenshots in the right column are the “detailed” version of the display additionally showing the particle counts and flow rate. The particle sizes and count representation are automatically matched to the selected format.

| Format | Simple View | Detailed View |
|-----------------|---|--|
| ISO 4406 |  |  |
| NAS1638 |  |  |
| AS4059E Table 1 |  |  |
| AS4059E Table 2 |  |  |
| ISO11218 |  |  |

There is also a “History” screen which shows the last 10 results. The operator can switch between these screens using the v and ^ keys.

The progress of a test is denoted by the horizontal line; it grows from left to right as the test progresses.

When it reaches the right hand side a new result is generated.

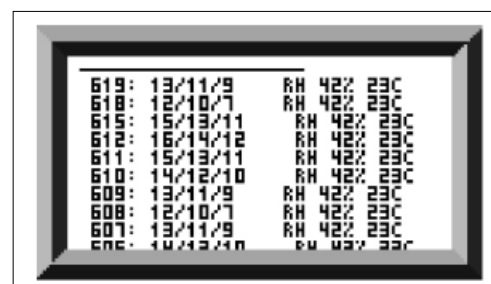


Figure 5.14 History Screen

PRODUCT INSTALLATION

5.2.2.2.2 Diagnostics Display

Press < or > to show the diagnostics displays (used when diagnosing problems) shown in figure 5.15. Then switch between the diagnostics screens using the v and ^ buttons.

COMPLETION shows a number from 0 to 1000, indicating the test progress.

FLOW ml/min provides an approximate indication of flow rate, updated after each test.

NOTE: This is not a calibrated flow meter and is for indicative purposes only.

This can be helpful when installing the unit or checking operation, to ensure that the flow rate is within the limits of the unit. The other items are mainly of use to assist in support when reporting problems.

The STATUS line shows the current state of the unit. Any errors such as LOW FLOW will also appear here (corresponding to the front panel LED fault codes).

The second screen shows diagnostics relating to Modbus serial communications traffic. External Comms Errors are those between a connected PC and the ICM 2.0. Internal Comms Errors are internal to the unit, showing communications between the ICM 2.0 keyboard/display circuit board and the sensor itself.

The third screen shows diagnostics related to CAN bus communications. For more details refer to the separate ICM CANbus manual.

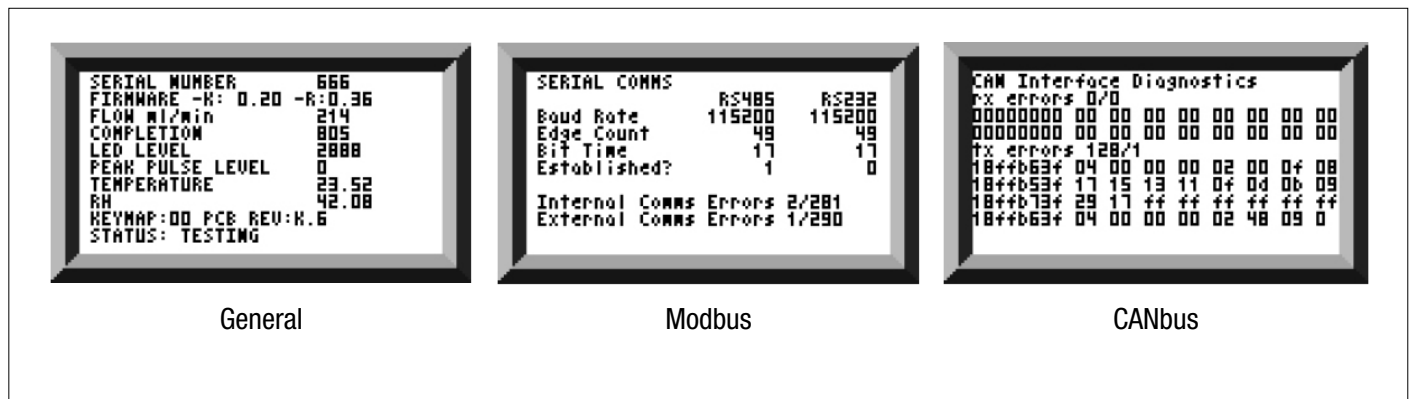


Figure 5.15 Diagnostics Screens

5.2.3 ICM 2.0 removal and Product Maintenance

When removing the ICM 2.0 from the system ensure the system pressure is shut off from the ICM 2.0.

5.3 ICM 2.0 Control

The ICM 2.0 can be controlled using the remote control facility included in the LPA-View software package, installed on a computer. Alternatively customers can use their own computer software.

Since the ICM 2.0 includes a built-in data logging memory, operators can make use of the remote control facility in one of two ways:

- Direct Online Operation

The ICM 2.0 is permanently connected to a computer while tests are carried out. The operator can set parameters, type a label and initiate the test. They can then monitor the progress of each test. Each test result is displayed and downloaded into the test database as it is completed.

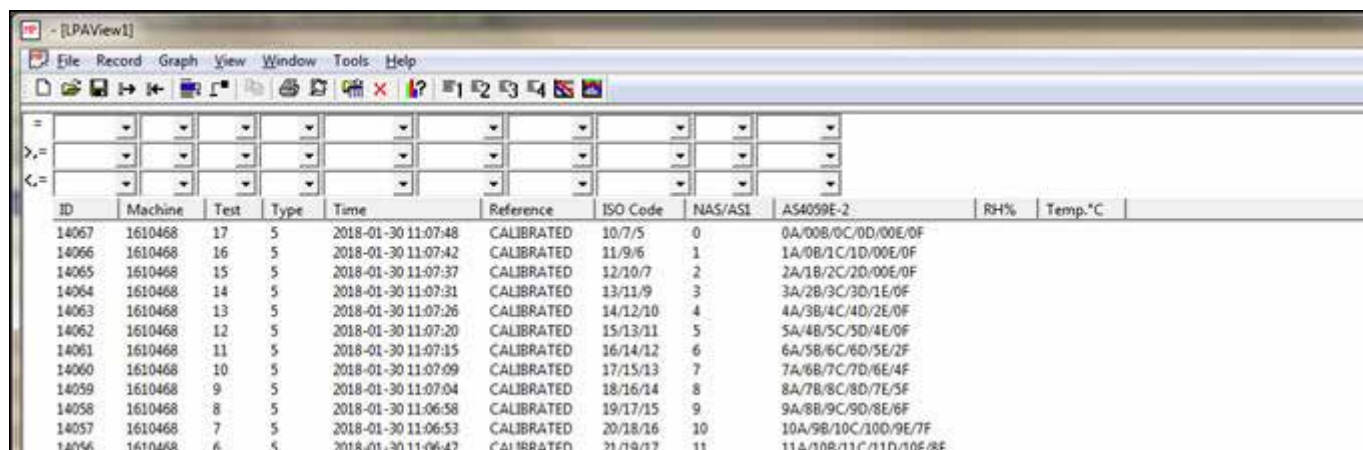
- Disconnected Operation

Here the ICM 2.0 operates as a standalone item, performing tests on a schedule or under external command from a control system. If a permanent record of the results is needed, an operator can connect a computer and use LPA-View to download the accumulated test data. The ICM 2.0 can hold up to 4000 tests in the memory.

5.3.1 Computer Connection

The connection is made using an RS485 adaptor connected to the computer or control device.

The ICMUSBi is included as a pre-wired solution for USB (all modern laptops and PCs). Make the connection, start LPA-View running and then apply power to the ICM 2.0.



The screenshot shows the LPAView software interface with a menu bar (File, Record, Graph, View, Window, Tools, Help) and a toolbar. Below the toolbar are several dropdown menus. The main area displays a table of test results with the following columns: ID, Machine, Test, Type, Time, Reference, ISO Code, NAS/ASL, A54059E-2, RH%, and Temp.°C. The table contains 11 rows of data, all with a 'Reference' of 'CALIBRATED'.

| ID | Machine | Test | Type | Time | Reference | ISO Code | NAS/ASL | A54059E-2 | RH% | Temp.°C |
|-------|---------|------|------|---------------------|------------|----------|---------|------------------------|-----|---------|
| 14057 | 1610468 | 17 | 5 | 2018-01-30 11:07:48 | CALIBRATED | 10/7/5 | 0 | 0A/00B/0C/0D/00E/0F | | |
| 14056 | 1610468 | 16 | 5 | 2018-01-30 11:07:42 | CALIBRATED | 11/9/6 | 1 | 1A/08/1C/1D/00E/0F | | |
| 14065 | 1610468 | 15 | 5 | 2018-01-30 11:07:37 | CALIBRATED | 12/10/7 | 2 | 2A/18/2C/2D/00E/0F | | |
| 14064 | 1610468 | 14 | 5 | 2018-01-30 11:07:31 | CALIBRATED | 13/11/9 | 3 | 3A/28/3C/3D/1E/0F | | |
| 14063 | 1610468 | 13 | 5 | 2018-01-30 11:07:26 | CALIBRATED | 14/12/10 | 4 | 4A/38/4C/4D/2E/0F | | |
| 14062 | 1610468 | 12 | 5 | 2018-01-30 11:07:20 | CALIBRATED | 15/13/11 | 5 | 5A/48/5C/5D/4E/0F | | |
| 14061 | 1610468 | 11 | 5 | 2018-01-30 11:07:15 | CALIBRATED | 16/14/12 | 6 | 6A/58/6C/6D/5E/2F | | |
| 14060 | 1610468 | 10 | 5 | 2018-01-30 11:07:09 | CALIBRATED | 17/15/13 | 7 | 7A/68/7C/7D/6E/4F | | |
| 14059 | 1610468 | 9 | 5 | 2018-01-30 11:07:04 | CALIBRATED | 18/16/14 | 8 | 8A/78/8C/8D/7E/5F | | |
| 14058 | 1610468 | 8 | 5 | 2018-01-30 11:06:58 | CALIBRATED | 19/17/15 | 9 | 9A/88/9C/9D/8E/6F | | |
| 14057 | 1610468 | 7 | 5 | 2018-01-30 11:06:53 | CALIBRATED | 20/18/16 | 10 | 10A/98/10C/10D/9E/7F | | |
| 14056 | 1610468 | 6 | 5 | 2018-01-30 11:06:47 | CALIBRATED | 21/19/17 | 11 | 11A/108/11C/11D/10E/8F | | |

Figure 5.16

“Remote control” button



The screenshot shows the LPAView software interface, similar to Figure 5.16. A blue box highlights the 'Remote control' button in the toolbar, which is represented by a computer monitor icon. An arrow points from the text 'Remote control' button to this icon.

Figure 5.17

PRODUCT INSTALLATION

To access the Remote Device facility in LPA View, press the Remote Control button on the toolbar (7th button from the left on the toolbar - Figure 5.17). The Connect dialogue will then appear (Figure 5.18).

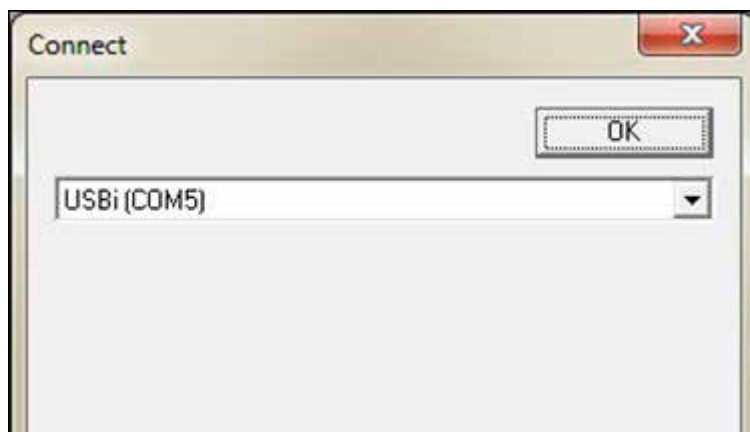


Figure 5.18

The first time that this is done, the correct communications port (COM port) on the computer has to be selected, as detailed below. The program scans the computer for available ports, and puts them in a list to choose from - this list is in the box above the Connect button. Press the arrow on the right hand side of this box and choose the connection on your computer.

All working communication ports of the computer are available for selection. Select the one used to connect the ICM 2.0, and then press OK. If you are unsure which port is correct, the device name should be next to the COM port number. When communication has been established successfully, the remote control dialogue will appear. After a successful connection, the COM port will be remembered for next time and will appear preselected in the dialogue. If no COM ports appear, please refer to the fault finding section the manual.

5.3.2 PC Software Operation

The Remote Control dialogue allows an operator to manually control the ICM 2.0 from a laptop, using the LPA-View software. It can also be used to download test results that have accumulated during autonomous (disconnected) operation.

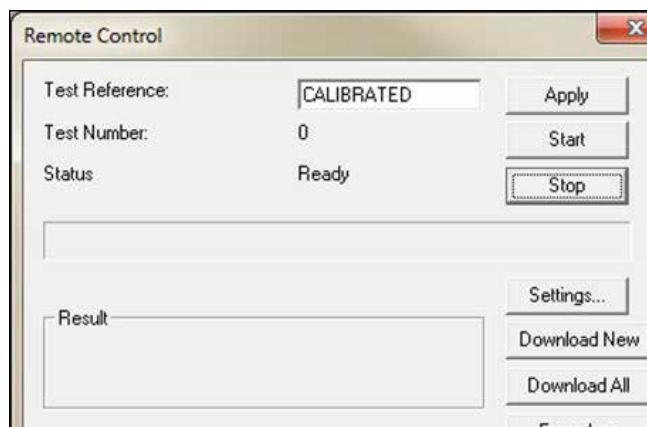


Figure 5.19

To perform a test, first optionally edit the Test Reference and press Apply to register the new value. This is a descriptive label which can be used to identify or group the test later (along with the test number and test time/date). An example would be a machine number or customer name. The Test Reference can be up to 15 characters in length.

When connected the ICM 2.0 status should show “Ready”. The operator can then press the Start button to begin the test. The progress bar shows how much of the test has been completed.

The test can be abandoned at any time by pressing the Stop button. If the Start button is pressed during a test, then the current test is abandoned and a new one started. When the test has finished, the Result area will display the contamination level in the set format and water content and temperature (if applicable).

After a test the Test Number is automatically incremented and the status of the test is displayed. If the status is Ready then the operator can press the Start button again to begin a new test.

It is also possible to configure the ICM 2.0 to automatically begin another test, after an optional delay. In this case the status will be Testing or Waiting.

The ICM 2.0 incorporates a data logger, so previous test results can be downloaded into the test database using the Download New and Download All buttons. The difference between these is that Download New only transfers results that have never been downloaded before. Download All transfers all results that are stored in the ICM 2.0. Erase Log deletes the test results from the memory of the ICM 2.0, see figure 5.19.

When the user has finished operating the ICM 2.0 the dialogue can be dismissed using the close control (the “X” at the top right corner of the dialogue) or by pressing the Esc key. Pressing the Settings... button brings up the Remote Device Settings dialogue. The ICM2.0 has an integral memory of 4000 test records, once the memory is full the earliest test records are overwritten. To avoid loss of data, regular test record downloads should be carried out.

5.3.3 Settings

The ICM 2.0 can be reconfigured using the Remote Device Settings dialogue. This is normally done as part of the installation or commissioning process. After making any changes, pressing the OK button will update the ICM 2.0 with the new settings. Or press Cancel to leave the settings as they were.

NOTE: The ICM 2.0 has been designed to be a very flexible product, so has a wide range of settings and operating modes. However the shipped defaults are suitable for most applications and many users can skip this section. Actual operation is straightforward even when advanced settings are used during initial configuration, ee figure 5.20.

NOTE: Some items may be missing depending on the options fitted to the ICM 2.0.

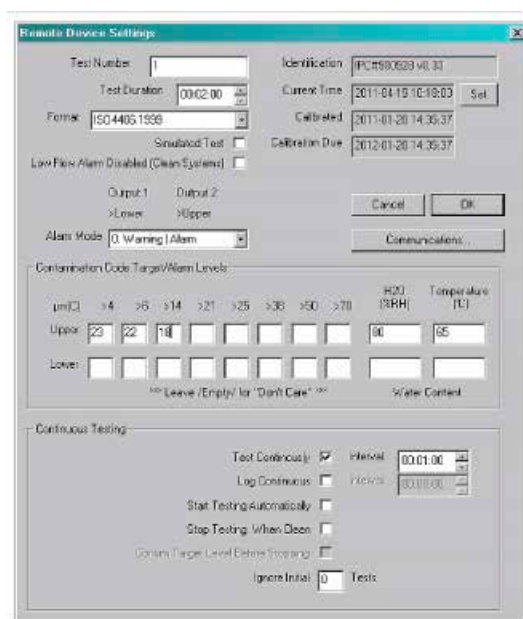


Figure 5.20

PRODUCT INSTALLATION

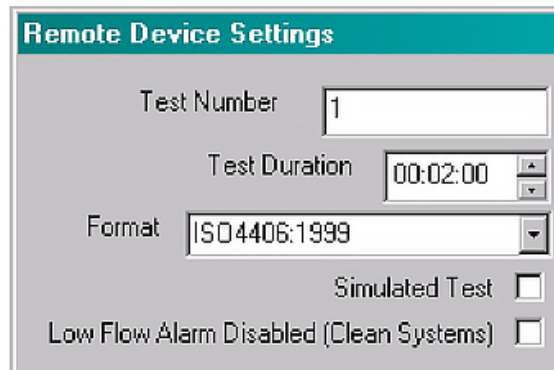
5.3.3.1 General

Some general information about the connected ICM 2.0 unit is available. The Identification shows the ICM 2.0 serial number and software version. The serial number, together with the test timestamp, uniquely identifies the test record. These two parameters are the ones used to avoid duplication of test records.

Current Time shows the time set on the ICM 2.0. It is important that this is correct since this is used to timestamp the tests. Pressing the Set button automatically synchronizes the ICM 2.0 time to that on the computer. The calibration area displays the date last Calibrated and the next Calibration Due date.

5.3.3.2 Test Number

The Test Number can be used to help identify a test within a sequence. However it is automatically reset when the ICM 2.0 is powered up, so instead relying on the timestamp (date and time of test) and test reference is preferred.



The screenshot shows a dialog box titled "Remote Device Settings". It contains the following fields and options:

- Test Number: A text input field containing the value "1".
- Test Duration: A time selection field showing "00:02:00" with up and down arrow buttons.
- Format: A dropdown menu currently set to "ISO 4406:1999".
- Simulated Test: A checkbox that is currently unchecked.
- Low Flow Alarm Disabled (Clean Systems): A checkbox that is currently unchecked.

Figure 5.21

NOTE: if the ICM 2.0 is power cycled at any point then the test numbering sequence automatically resets and begins again.

5.3.3.3 Test Duration

The length of the test is controlled by the Test Duration, see figure 5.21 for location.

The factory set value of 2 minutes is suitable for most applications, but the user is free to set a different value. Shorter times will make the ICM 2.0 more responsive to short-term fluctuations in contamination level. It will also result in less consistent results for the large particle sizes and clean systems, due to statistical fluctuations in the number of particles counted.

Longer tests will allow more “stable” results in very clean systems and for the larger particle sizes, since there will be a larger total number of particles counted during the test. This means that any fluctuations have less of an effect on the test result.

5.3.3.4 Result Display

Use the selector to choose the preferred display Format (ISO, NAS etc.). This selection is not just cosmetic since it also determines how the cleanliness alarm targets are to be interpreted, if these are used. See figure 5.21 for the location, it is defined as the format.

5.3.3.5 Simulated Test

This setting can be used when there is no flow available but communications need to be tested. This is the box ticked in figure 5.22

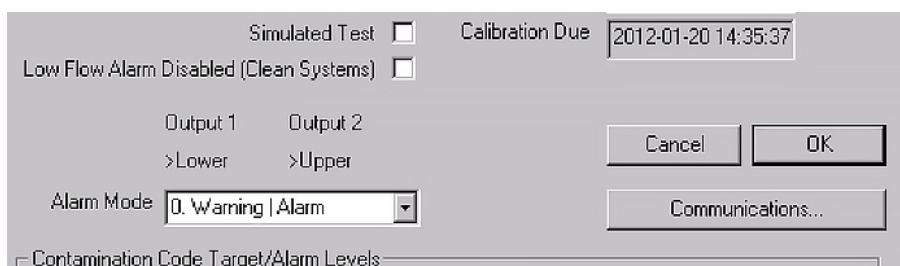


Figure 5.22

5.3.3.6 Low Flow Alarm Disabled (Clean Systems)

It is worth reinforcing that the primary function of the product is to produce a measurement of cleanliness, and not act as a flow meter. If the unit produces a contamination measurement, then the flow rate is sufficient enough for it to do so.

The ICM 2.0 needs particles to pass through the flow cell to calculate flow, the dirtier the system is, the more statistically accurate the flow output becomes.

Conversely, when placed on a very clean system the unit can have difficulty in working out the flow due to the very low number of particles passing through the flow cell. To overcome this, the test has to fulfil certain conditions to create a valid result.

If the low flow alarm has been disabled there must be a minimum of 20 particles >4micron seen during the test for the flow reading to be shown and the test result to be valid.

If there are less than 20 particles >4micron during the test then the ICM 2.0 will alarm/fault code even if the low flow alarm has been disabled.

Note: If the low flow alarm has been disabled, it is preferred that the ICM 2.0 is installed in such a way that if the system is shutdown (zero flow) the ICM 2.0 is also shut down so as not to measure stagnant fluid and provide erroneous readings.

It may be necessary that the low flow indicator is turned off if filtration is below 10um (ISO 14/12/10 (NAS Class 4)), see figure 5.22 for location.

PRODUCT INSTALLATION

5.3.3.7 Continuous Testing

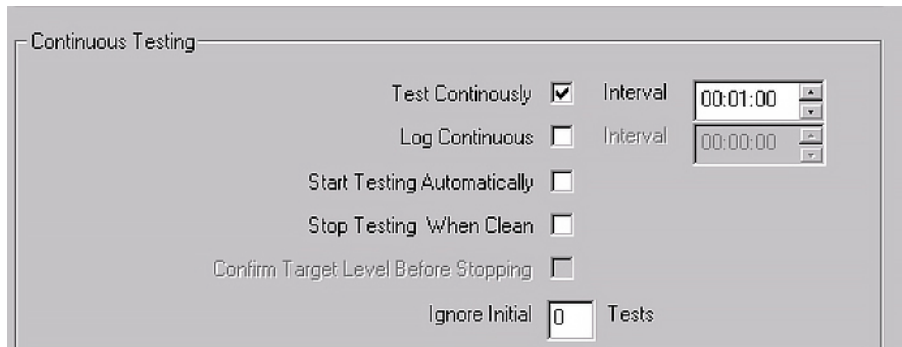


Figure 5.23

In the Continuous Testing area are settings which control how the ICM 2.0 decides when to perform and log a test. Selecting Test Continuously makes the ICM 2.0 automatically repeat the test, according to the specified Test Interval.

1. Setting an interval longer than the test duration; results in the test being repeated upon each expiry of that interval. For example, setting a Test Duration of 1 minute and a Test Interval of 10 minutes, results in a 1 minute test performed every 10 minutes - NOTE: Test time is part of interval time
2. Setting the interval to a value less than the Test Duration (for example zero); results in a new test being started immediately after a test finishes.

Log Continuous controls whether tests are logged during continuous testing. This is to avoid the test log being cluttered by potentially large numbers of unwanted test results. If Log Continuous is not selected, then only the “final” test in a sequence is logged (see Alarm Modes section and “Stop Testing When Clean” below). (*)

If continuous logging is used, then the Log Interval can be set to control the proportion of tests that are actually logged. For example the ICM 2.0 could be set to test every 10 minutes, but only log a result hourly. The log interval, test interval and test duration are distinct parameters that work together to control the test and data logging. So that, a test duration of 2 minutes, a test interval of 10 minutes, and a log interval of 1 hour could be individually set. This would result in 2 minute long tests, repeated every 10 minutes, with a test logged hourly.

NOTE: the log interval must land on a test interval or an error will occur, for example the test interval cannot be 2 minutes and the log interval 3 minutes.

Stop Testing When Clean- This is a feature intended for cleaning rigs or “filter trolley” type applications. The ICM 2.0 continues testing until the fluid is “clean”, at which point an alarm is signaled and testing stops.

Ignore Initial Tests- on start up the number selected here is the number of tests that are ignored before results are logged. This is designed for systems that are particularly dirty or turbulent on startup and it allows the system to stabilize.

Confirm Target Level before Stopping- this helps to ensure that a test sequence is not terminated too soon, when there are still a few large particles in the system. When selected, the number in the box is how many successive “clean” results are needed before testing halts.

(*) This feature is intended for a “Filter Trolley” type application where system runs a pump until the oil is sufficiently clean. Typically only the final “clean” result requires logging.

5.3.3.8 Changing Communication Protocols

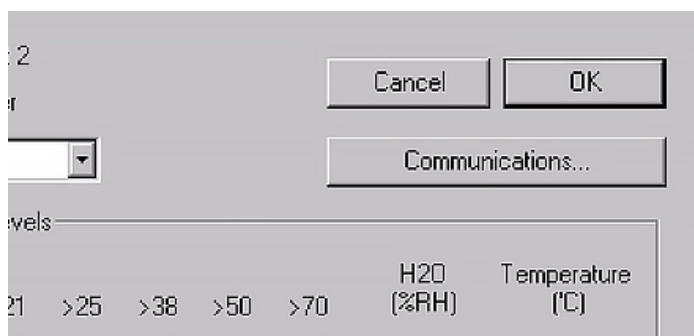


Figure 5.24

Selecting the communication button allows you to change how the ICM 2.0 communicates. See figure 5.25 for the options.

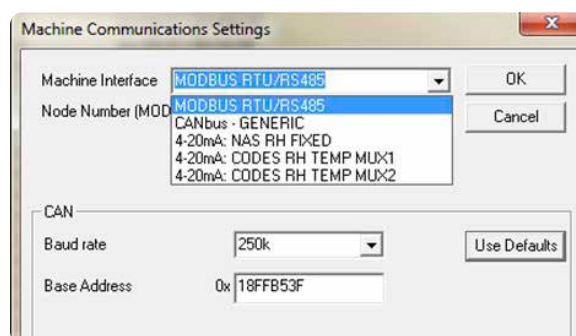


Figure 5.25

Selecting a machine interface fixes the output for the machine connector, for example selecting CANbus means that you can no longer use the machine connector to communicate in Modbus (the default). If you wish to change back or to a version of 4-20mA then you have to connect to the ICM 2.0 via the Remote Connector.

See section 5.4 for information on how to communicate with the ICM 2.0 in the different protocols.

5.3.3.9 Alarms

The ICM 2.0 has two switched “alarm” outputs that can be used to signal external equipment in various ways, according to the test results and the alarm settings. There is also a multi- colour front panel light which indicates how the result compares to the set alarm thresholds.

The alarm settings are comprehensive and flexible, allowing the ICM 2.0 to be used in many different scenarios.

PRODUCT INSTALLATION

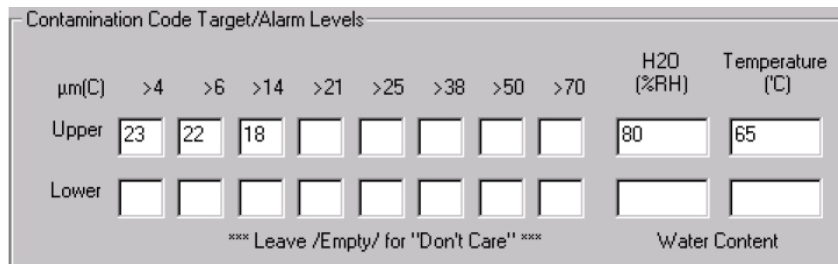
5.3.3.9.1 Alarm Levels

The various alarm thresholds are set in the Contamination Code Target / Alarm Levels area of the dialogue. Alarms can be set on combinations of cleanliness codes, water content and temperature. The available codes, and their interpretation, vary according to the set test Format. For example it is possible to set a threshold of “NAS 11” or “ISO 18/16/15” or “AS4059E 8B-F”, etc.

In general there are upper and lower limits that can be set for the cleanliness level, also for water content and temperature if applicable. An alarm, if enabled, will become active if any of the associated (upper/lower) limits are exceeded. However if a field is left empty (blank) this is interpreted as a “don’t care” setting.

In the example Figure 5.26 the Upper Alarm is exceeded if the 4 $\mu\text{m}_{(C)}$ count is greater than ISO code 23, or the 6 $\mu\text{m}_{(C)}$ greater than ISO code 22, or the 14 $\mu\text{m}_{(C)}$ count greater than code 18, or the water content is greater than 80% RH, or the temperature is greater than 65°C. The lower alarm is never triggered since all the settings are empty.

ISO 4406 Alarm Levels

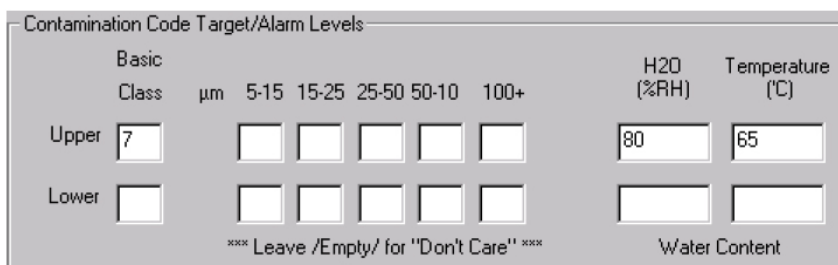


| Contamination Code Target/Alarm Levels | | | | | | | | | | | |
|--|------------------|----|----|-----|-----|-----|-----|-----|-----|---------------|------------------|
| | $\mu\text{m}(C)$ | >4 | >6 | >14 | >21 | >25 | >38 | >50 | >70 | H2O (%RH) | Temperature (°C) |
| Upper | | 23 | 22 | 18 | | | | | | 80 | 65 |
| Lower | | | | | | | | | | | |
| *** Leave /Empty/ for "Don't Care" *** | | | | | | | | | | Water Content | |

Figure 5.26

ISO 4406 represents cleanliness using codes for the number of particles greater than 4, 6 and 14 $\mu\text{m}_{(C)}$. These codes can be used as limits for the alarms by selecting the ISO 4406 test Format and then entering values as required. As an extension to ISO 4406 it is also possible to specify codes for the other measured sizes too. If this is not needed then the entries can be left blank.

NAS1638 Alarm Levels



| Contamination Code Target/Alarm Levels | | | | | | | | | | | |
|--|-------------|---------------|------|-------|-------|--------|------|-----------|------------------|---------------|--|
| | Basic Class | μm | 5-15 | 15-25 | 25-50 | 50-100 | 100+ | H2O (%RH) | Temperature (°C) | | |
| Upper | 7 | | | | | | | 80 | 65 | | |
| Lower | | | | | | | | | | | |
| *** Leave /Empty/ for "Don't Care" *** | | | | | | | | | | Water Content | |

Figure 5.27

NAS1638 can be used by selecting this as the test Format. The headings and boxes for the available settings change appropriately. NAS1638 represents the overall cleanliness level as a single code, this being the highest of the individual codes generated for each defined particle size. Hence we have the option of setting a limit on this overall contamination class (the Basic Class), or we can set individual limits on any combination of the classes for the defined particle size ranges.

AS4059E Table 2 Alarm Levels

| Contamination Code Target/Alarm Levels | | | | | | | | | |
|--|----------------------|----------------------|----------------------|----------------------|----------------------|----------------------|----------------------|----------------------|----------------------|
| | Basic Class | A | B | C | D | E | F | H2O (%RH) | Temperature (°C) |
| Upper | 7 | <input type="text"/> | <input type="text"/> | <input type="text"/> | <input type="text"/> | <input type="text"/> | <input type="text"/> | 80 | 65 |
| Lower | <input type="text"/> | <input type="text"/> | <input type="text"/> | <input type="text"/> | <input type="text"/> | <input type="text"/> | <input type="text"/> | <input type="text"/> | <input type="text"/> |
| *** Leave /Empty/ for "Don't Care" *** | | | | | | | | | |
| Water Content | | | | | | | | | |

Figure 5.28

AS4059E Table 2 uses letters instead of numbers to indicate the particle size range, so the settings are labelled appropriately. The standard specifies ways to represent a cleanliness level using only a subset of the available particle sizes, for example B-F. The user can achieve this by only entering settings for the sizes desired, leaving the others empty. So a limit of AS4059 7B-F could be represented simply by entering a value of 7 for B, C, D, E and F.

AS4059E Table 1 / ISO 11218 Alarm Levels

| Contamination Code Target/Alarm Levels | | | | | | | | | |
|--|----------------------|----------------------|----------------------|----------------------|----------------------|----------------------|----------------------|----------------------|----------------------|
| | Basic Class | µm | 5-15 | 15-25 | 25-50 | 50-100 | >100 | H2O (%RH) | Temperature (°C) |
| Upper | 7 | <input type="text"/> | <input type="text"/> | <input type="text"/> | <input type="text"/> | <input type="text"/> | <input type="text"/> | 80 | 65 |
| Lower | <input type="text"/> | <input type="text"/> | <input type="text"/> | <input type="text"/> | <input type="text"/> | <input type="text"/> | <input type="text"/> | <input type="text"/> | <input type="text"/> |
| *** Leave /Empty/ for "Don't Care" *** | | | | | | | | | |
| Water Content | | | | | | | | | |

Figure 5.29

These two standards are similar except for terminology and reporting format. The actual numeric sizes and class thresholds are the same.

5.3.3.9.2 Alarm Mode

| Output 1 | Output 2 |
|--|----------------------|
| <=Lower | >Upper |
| Alarm Mode | |
| <div style="border: 1px solid black; padding: 2px;"> 1. Clean Dirty </div> | |
| <div style="border: 1px solid black; padding: 2px;"> 0. Warning Alarm </div> | |
| <div style="border: 1px solid black; padding: 2px;"> 1. Clean Dirty </div> | |
| <div style="border: 1px solid black; padding: 2px;"> 2. Green-Amber-Red </div> | |
| <div style="border: 1px solid black; padding: 2px;"> 3. Particles Water </div> | |
| <div style="border: 1px solid black; padding: 2px;"> 4. Continue Clean </div> | |
| <div style="border: 1px solid black; padding: 2px;"> 5. Tested Clean </div> | |
| <div style="border: 1px solid black; padding: 2px;"> 6. Testing Clean </div> | |
| Contamination Code | 50-100 >100 |
| Basic Class | 38-70 >70 |
| Upper | <input type="text"/> |
| Lower | <input type="text"/> |

Figure 5.30

The Alarm Mode sets the precise function of the two switched alarm outputs of the ICM 2.0.

This allows the ICM 2.0 to be used in a variety of situations. Note that the conditions under which the outputs are turned on are also displayed above the Alarm Mode selector, for each setting.

PRODUCT INSTALLATION

NOTE: These outputs are distinct from the front panel LED, and that the set alarm mode does not affect the LED. The set alarm mode determines the function of the two switched outputs only. This setting and this entire section can be ignored if these outputs are unused, i.e. the user has not connected them to anything.

New modes are occasionally added after a customer request, this means that modes may not all be implemented unless using the latest firmware revision.

Alarm Mode 0: Warning-Alarm

| | Output 1 | Output 2 |
|-------------------|----------|----------|
| Turns on when | >Lower | >Upper |
| Intended Function | Warning | Alarm |

This allows the ICM 2.0 to switch external warning lights or alarms. Output 1 is the “Warning” output, switching on if any of the Lower limits are exceeded. Output 2 is the “Alarm” output, behaving similarly for the upper limit.

Alarm Mode 1: Clean-Dirty

| | Output 1 | Output 2 |
|-------------------|----------|----------|
| Turns on when | ≤Lower | Upper |
| Intended Function | Clean | Dirty |

This could be used in a cleaning system that attempts to maintain a cleanliness level by switching a pump on and off.

Output 1 is the “Clean” output, coming on when the result is less than or equal to the lower (“Clean”) limit. This could be used to stop a cleaning pump.

Output 2 is the “Dirty” output, coming on when the result is greater than the upper (“Dirty”) limit. This could be used to start the cleaning pump.

Alarm Mode 2: Green-Amber-Red

| | Output 1 | Output 2 |
|-------------------|----------|----------|
| Turns on when | <Upper | >Lower |
| Intended Function | Green | Red |

This mode encodes the result in such a way that the internal alarm relays can be used to drive an external remote 3-colour LED indicator. This is a special type of LED containing both red and green emitters, which could be mounted in a control panel. This external LED will then turn green / amber / red according to the test result - in a similar way to the built-in one. Output 1 (“Green”) is turned on when the result is less than the upper limit. Output 2 (“Red”) is turned on when the result is greater than the lower limit. If the result is in between, both outputs are turned on and the LED colour will be amber (i.e. a mixture of red and green light).

Alarm Mode 3: Particles-Water

| | Output 1 | Output 2 |
|-------------------|--------------------|--------------|
| Turns on when | Cleanliness >Upper | Water >Upper |
| Turns off when | Cleanliness ≤lower | Water ≤lower |
| Intended Function | Cleanliness Alarm | Water Alarm |

This is used when separate alarm outputs are needed for particles (cleanliness) and water content.

This mode is able to use both upper and lower limits such that the outputs have “hysteresis”. If only the upper or lower limit is required, then both upper and lower limits should be set to the same value.

Alarm Mode 4: Continue-Clean

| | Output 1 | Output 2 |
|-------------------|------------------|----------------------|
| Turns on When | >Lower | ≤Lower |
| Intended Function | Continue Testing | Stop Testing / Clean |

This is used for a “cleaning” application where a signal is needed to stop testing (for example to stop a pump or signal an external controller).

Alarm Mode 5: Tested Not-Clean

| | Output 1 | Output 2 |
|-------------------|----------------------|--------------------|
| Turns on When | Test Complete | >Lower |
| Intended Function | Test Complete Signal | “Not Clean” Signal |

This is used when controlling tests from a PLC using switched outputs. The PLC gives a start signal, then monitors the “Test Complete” output. If the test has failed it can detect this with the “not clean” signal.

“Continuous testing” should not be selected for this mode.

Alarm Mode 6: Testing Not-Clean

| | Output 1 | Output 2 |
|-------------------|-------------------------|--------------------|
| Turns on When | Testing | >Lower |
| Intended Function | Test in progress Signal | “Not Clean” Signal |

This is similar to mode 5 above. The difference is that output 1 is active during the test and turns off at test end.

“Continuous testing” should not be selected for this mode.

Alarm Mode 7... Customer Requested Modes

Other alarm modes will be defined as and when customers request them.

PRODUCT INSTALLATION

5.4 Standard Communication Protocols

5.4.1 Modbus

The ICM 2.0 can be controlled via commands on its serial (RS485) interface, using the Modbus RTU protocol. It is possible to control every aspect and setting of the ICM 2.0, as is done by the MP Filtri LPA-View control software. All results and counts are available in all supported formats. We suggest using LPA-View to initially configure the ICM 2.0 and check it is performing correctly, and then the customer-written software only has to read the test results. This could be used to integrate the ICM 2.0 measurements with a general machine control, vehicle control or factory monitoring system.

Customers wishing to implement their own Modbus controller software will need to refer to the rest of this section with further details in section 8.1 and 8.2.

The simplest arrangement is to configure the ICM 2.0 to test continuously, with a set interval between tests. For example; a Test Duration of 2 minutes and a Test Interval of 10 minutes. The Start Testing Automatically selection can be used so that the unit does not require a start signal.

Then, the most recent test results can be read from the appropriate Modbus Registers.

| Register | Function |
|----------|------------------------------------|
| 56 | 4 $\mu\text{m}_{(c)}$ Result Code |
| 57 | 6 $\mu\text{m}_{(c)}$ Result Code |
| 58 | 14 $\mu\text{m}_{(c)}$ Result Code |

5.4.1.1 Set Up

| | |
|---------------|--------------------------|
| Protocol Type | RTU (not ASCII) |
| Data Bits | 8 |
| Stop Bits | 1 |
| Parity | Required, even or none |
| Baud | Auto-sensing 1200-115200 |
| Signaling | RS485 |
| Mode Address | 4 (or user set) |

Figure 5.31 Settings

5.4.1.1.1 Communications Check

You should be able to read the product ID code from register 0 (from Modbus node address 204). The product ID code is the value 54237 (decimal) or 0xD3DD (hexadecimal).

5.4.1.1.2 Result Format

The ICM 2.0 can present results in several different industry formats (ISO, NAS etc.) The format required can be most easily set using LPA-View; however it is also possible to set it via Modbus. To do this, write the required value 0-4 from table 5A to the TEST FORMAT register 19. The factory set value is 0 (ISO 4406).

The selected format does not affect the particle count values, but does completely change the interpretation of the result codes and set limits, if used.

Note: If the format is changed, then any set alarm limits must be changed too since these will refer to the old format. E.g. a limit of "NAS 11" cannot be directly expressed using the ISO 4406 standard.

| Value | Format | Main Class Example | Individual Codes Example |
|-------|-----------------|--------------------|--------------------------|
| 0 | ISO 4406 | - | 21/20/17 |
| 1 | NAS 1638 | NAS 12 | (12 11 11 7 6) |
| 2 | AS4059E Table 2 | 12A-F | 12A/12B/11C/11D/7E/6F |
| 3 | AS4059 Table 1 | Class 12 | 12 11 11 7 6 |
| 4 | ISO 11218 Draft | ISO(12) | 12 11 11 7 6 |

Table 5A TEST FORMAT Register 19

5.4.1.2 Result Codes

The most recent measurements are presented as numeric codes (i.e. numbers) according to the selected TEST FORMAT. These codes can be read from registers 56-63, as per Table 5B.

| Register | ISO 4406 Code | AS4059E Class Table 2 | NAS1638/ AS4059E Table 1/ ISO 11218 (Draft) Codes/ Classes |
|----------|---------------|-----------------------|--|
| 56 | ≥4 μ | Basic | Basic |
| 57 | ≥6 μ | - | - |
| 58 | ≥14 μ | A | 5-15 |
| 59 | ≥21 μ | B | 15-25 |
| 60 | ≥25 μ | C | 25-50 |
| 61 | ≥38 μ | D | 50-100 |
| 62 | ≥50 μ | E | 100+ |
| 63 | ≥70 μ | F | - |

Table 5B RESULT CODES Registers 56-63

PRODUCT INSTALLATION

5.4.1.2.1 Null Values

For all formats, the special value -32768 (0x8000 hex) is used to represent a “null” or “no result” condition. This enables “No Result” to be distinguished from a 0/0/0 ISO code, for example. “No Result” could be due to an error condition, or to a measurement not having been commanded yet. This convention is also used for other parameters such as temperature and water content measurements, where applicable.

NOTE: User written programs should take note, to avoid displays like -32768/-32768/-32768 appearing on their front panels.

5.4.1.2.2 ISO 4406

ISO 4406 defines a set of code values to represent ranges of counts of particles greater than the nominated sizes of ≥ 4 , ≥ 6 and $\geq 14\mu\text{m}_{(c)}$. The ICM 2.0 can display codes from 0 to 24. The three-part code is available in the first 3 RESULT CODES. We additionally make available equivalent codes for the other sizes from 21 to $70\mu\text{m}_{(c)}$, as per Table 5B.

5.4.1.2.3 NAS 1638/ AS4059E-1/ ISO11218

These assign code numbers for the particle counts in each size range shown in the table. The “basic” class is then the highest of these individual codes. The basic class is in the first register, with the individual classes made available in the registers shown.

For these standards there is a complication in that they all define an additional class “00”. This is an extra “cleaner than class 0” class. We distinguish this from 0 using the numeric value -1. Negative numbers are represented in a Modbus register using the “twos complement” notation. If the user program interprets this as a positive number it will appear as 65535 (0xFFFF hex).

Classes range from 00(-1) to 12.

5.4.1.2.4 AS4059E-2

AS4059E Table 2 also has some similarities to NAS1638. In terms of the representation in Modbus registers, the main differences are an extra $4\text{-}6\mu\text{m}_{(c)}$ size range and the addition of an extra “000” class. This is represented using the number -2. If the user program interprets this as a positive number it will appear as 65534 (0xFFFE hex).

5.4.1.2.5 Temperature and Water Content Measurements

These are contained in the TEMPERATURE register 33 and the RH (relative humidity) register 34. These are scaled by a factor of 100, so that values of 12.34°C and $56.78\% \text{ RH}$ would be represented by values of 1234 and 5678 respectively. The temperature can go negative, in which case the usual “twos complement” representation is used. Most controllers should have a facility for reading “signed integers” encoded in this way (these will appear as large positive numbers if interpreted instead as positive numbers, for example 65535).

The special value -32768 (0x8000 hex) is again used to indicate “No result”, as per the contamination result codes. This could be due to a sensor failure or to the unit still in the process of powering up.

5.4.1.3 Performing Tests

5.4.1.3.1 Commanding Test Start

If the ICM 2.0 is monitoring a single machine, it will normally be configured to test continuously and automatically, so that the contamination measurement can be read out at any time as described above. However some applications need a defined test start and test end, for example end-of-line production testing, where each result relates to a separate item being tested.

These applications can simply use a push button (or relay) wired to the ICM 2.0 start signal, or the front panel push button, or can be commanded programmatically via Modbus.

To start or restart a test, write the value 1 to the command register 21. The test duration can be set using LPA-View before installation, or alternatively write the required test time (in seconds) to the TEST DURATION register 18.

5.4.1.3.2 Test Status

A test status code is available in register 30. This contains a number indicating the current state of the ICM 2.0, according to section 7.2.2, table 7A. This allows a system to remotely monitor the ICM 2.0 operation, if desired, allowing more specific diagnostics.

NOTE: the fault conditions are also indicated on the front panel LED, while "No Result" in the case of a fault is indicated using special result values as previously described.

5.4.1.3.3 Test Completion

The TEST COMPLETION is indicated by register 36. This contains a number between 0 and 1000 indicating the test progress (this is also used by LPA-View to drive the test progress bar).

5.4.1.4 Particle Counts

Some quantities are (or may become) too large to fit into a single 16-bit register. For example the 4µm particle count could easily be more than 65535. These items are represented using two consecutive registers; the combination makes up a 32-bit integer. For example, the value of such a 32 bit unsigned integer stored in the two registers 40 and 41 may be calculated using the formula:

$$\text{Value} = (65536 \times (\text{register } 40)) + (\text{register } 41)$$

The particle counts are stored in registers 40-55, as shown in Table 6D. There are 8 register pairs; each pair encodes one count channel as a 32 bit integer, using two consecutive Modbus registers as explained above. The Counts are per 100ml.

Particle sizes are expressed below according to ISO 4406, i.e. equivalent projected area diameter. The sizes have been chosen so that all supported coding standards (NAS, ISO...) can be derived from them. The counts are all cumulative.

PRODUCT INSTALLATION

Differential counts can be derived by subtraction. E.g., the NAS 5-15 μm count could be calculated by subtracting the ISO 6 $\mu\text{m}_{(c)}$ count from the 14 $\mu\text{m}_{(c)}$ count.

| Number | Function | Comment |
|--------|-----------------------------|------------------------------|
| 40-41 | $\geq 4 \mu\text{m}_{(c)}$ | - |
| 42-43 | $\geq 6 \mu\text{m}_{(c)}$ | $\geq 5 \mu\text{m}$ (NAS) |
| 44-45 | $\geq 14 \mu\text{m}_{(c)}$ | $\geq 15 \mu\text{m}$ (NAS) |
| 46-47 | $\geq 21 \mu\text{m}_{(c)}$ | $\geq 25 \mu\text{m}$ (NAS) |
| 48-49 | $\geq 25 \mu\text{m}_{(c)}$ | - |
| 50-51 | $\geq 38 \mu\text{m}_{(c)}$ | $\geq 50 \mu\text{m}$ (NAS) |
| 52-53 | $\geq 50 \mu\text{m}_{(c)}$ | - |
| 54-55 | $\geq 70 \mu\text{m}_{(c)}$ | $\geq 100 \mu\text{m}$ (NAS) |

Table 5D Particle Count Registers

5.4.1.5 Alarms

5.4.1.5.1 Alarm Mode

The ICM 2.0 includes two relay outputs that can optionally be used for signaling the state of the unit. These are normally used in "stand-alone" applications where the Modbus interface is not used (since a Modbus controller / PLC already has all the exact results available in digital form and can work with these directly.)

There are a number of preset "modes" that determine the exact function of the relays. Refer to the alarm mode section for more details (5.3.3.9.2).

These modes are normally set at installation time using our PC software package LPA-View. But it is also possible to use Modbus to set the operating mode of these relays, by writing the corresponding integer to the alarm mode register 26.

5.4.1.5.2 Alarm Limits

Settable Upper and Lower limits for particulate contamination are provided.

These are two groups of 8 registers representing the "Upper Limit" and "Lower Limit" for particulate contamination. These are 64-71 and 72-79 respectively.

These are expressed in terms of the result codes using the same format as in 5.4.1.2. An additional special value of 0x8000 (hexadecimal representation) is used to signify a "don't care" setting for that limit code.

5.4.2 CANbus Installation

The ICM 2.0 supports the major CANbus basic message format standards CAN 2.0A (11 bit identifiers) and CAN2.0B (29 bit identifiers). J1939 and CanOpen are higher level protocols built on these basic standards. J1939 uses CAN2.0A, and CanOpen uses CAN2.0B. The ICM 2.0 does not implement either of these protocols. Instead it defines a few CANbus messages to communicate data. However the message identifiers have been chosen so as to allow operation with both J1939 and CanOpen. Generally it should be possible to use the ICM 2.0 with either, as well as other CANbus systems.

Installation

- Perform a general installation and check of the ICM 2.0 as detailed in section 5 earlier.
- Perform a one-off general configuration check of the ICM 2.0 using a PC running LPA-View e.g. set it to test continuously and automatically start testing on power up. This procedure is described earlier in section 5. You will need a suitable RS485 interface, such as the ICM-USBi.
- Use the software to configure any CANbus specific parameters required by your CANbus network, for example configure a CANbus message ID and baud rate

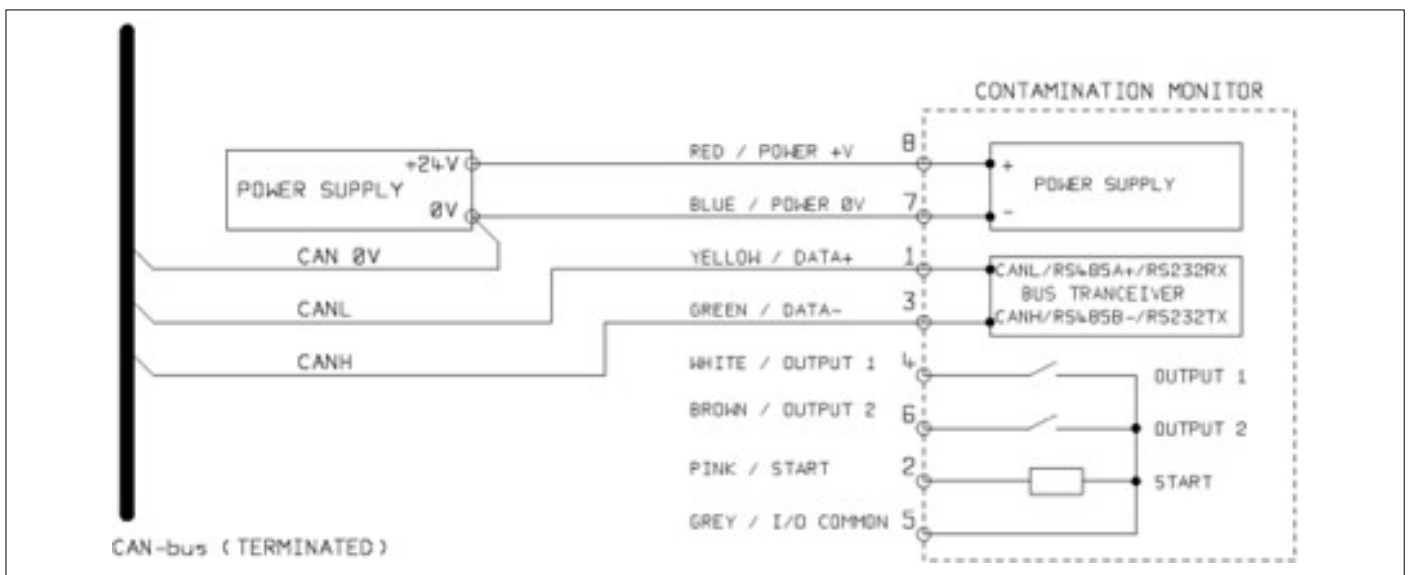


Figure 5.31

- Connect the ICM 2.0 to your CANbus network and provide a 24VDC power supply, as per figure 5.31.
- The ICM 2.0 automatically emits the test result message after each set test interval.
- Configure your CANbus controller to listen for the messages configured above.
- The ICM 2.0 requires a DC power supply and the two CANbus signals CANL and CANH, as shown in Figure 1. The numbers shown are the pin numbers of the circular connector that plugs into the ICM 2.0.
- CANbus requires the network to be terminated at each end. This must be done externally to the ICM 2.0.
- The CANbus signals CANL and CANH are referred to the system 0V supply. These should stay within the common mode range allowed by the ISO-11898-4 CANbus standard relative to the ICM 2.0 0V connection. This range is -2V to +7V. This can be normally be ensured by connecting together the ICM 2.0 0V and the 0V of the CANbus controller. The "CAN 0V" wire shown indicates this link. (Not needed if both CANbus controller and ICM 2.0 are connected to a vehicle chassis or otherwise "Earthed".)
- There are other wires available for switched alarm and start signals (optional). These are documented separately in section 5.1.2.4 and 5.1.2.5.

PRODUCT INSTALLATION

5.4.2.2.1 Use PC Software for Configuration

The free LPA-View software package is needed in order to initially configure the ICM 2.0. Once configured, the unit can be left connected to the CANbus network.

The ICM 2.0 was designed to be as flexible as possible. There are large number of options for setting operating modes, test result formats, alarm settings, downloading stored data etc.

The easiest approach is to use LPA-View to configure the test parameters and result format. Then the customer application only has to read the results.

The CANbus parameters are configured from the Communication Settings dialogue, accessed from the ICM 2.0 Settings dialogue (see section 5.3.3).

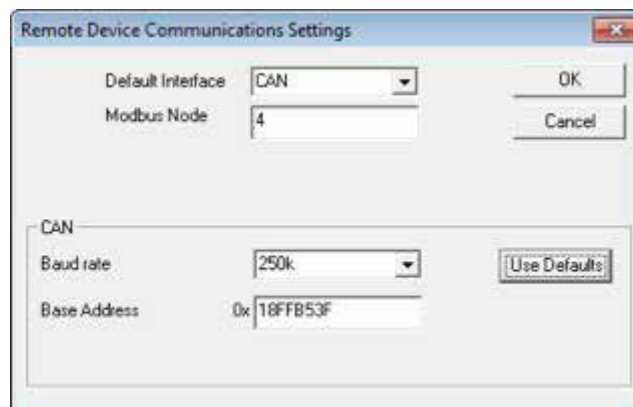


Figure 5.32 Communication Settings Dialogue

The ICM 2.0 can use either CAN 2.0A “basic” format with 11 bit identifiers, or CAN2.0B “extended frame” format with 29 bit identifiers.

5.4.2.2.2 CAN2.0B and J1939

The default 29 bit format is designed to be compatible with the J1939 standard. It should also be possible to use the ICM 2.0 with any system that permits arbitrary raw CANbus 2.0B identifiers to be received.

The dialogue shows the default CANbus settings. The ICM 2.0 transmits all data using a range of message identifiers starting at that selected. If the “Use Defaults” button is pressed, the program constructs an identifier suitable for J1939 (i.e. this will use PGNs within the region allocated to proprietary applications, starting at 0x00FFB53F).

At the end of each test, the ICM 2.0 will generate a “test result codes” message using the selected CANbus identifier. On a J1939 network the test result will appear as PGN 0x00ff00. Users not using J1939 can simply listen for messages with the identifier shown in the dialogue, e.g. 0x18FFB53F.

5.4.2.2.3 CAN2.0A and CanOpen

The 11 bit format is designed to be compatible with the CanOpen standard. It can also be used with any system that allows raw CANbus 2.0A identifiers to be received.

In order to use 11 bit identifiers (CAN 2.0A) set a value below 0x7ff for the "Base Address".

For a CanOpen network, use a base address of 0x182 for example. This will result in message IDs corresponding to the CanOpen "pre-defined connection set".

5.4.2.3.1 CANbus Settings

| | |
|-----------------------|--|
| CANbus physical layer | ISO-11898-2 |
| Protocol type | CAN2.0B (29 bit identifiers) CAN2.0A (11 bit identifiers) |
| Baud | User Set 1M/800k/500k/250k/125k/100k/50k/20k/10k |
| Identifier Range | User Set |

5.4.2.3.2 Operation

Typically the installer will have configured the ICM 2.0 to automatically start continuous testing. At the end of each set test interval (e.g. 2 minutes) the ICM 2.0 will emit a CAN "Result Codes" message using the set CAN identifier (e.g. 0x18FFB53F using hexadecimal notation). So a typical CAN message might be:

| | Byte | | | | | | | |
|------------|------|---|---|---|---|---|---|---|
| Identifier | 1 | 2 | 3 | 4 | 5 | 6 | 7 | 8 |
| 0x18FFB53F | 12 | 8 | 2 | - | - | - | - | - |

5.4.3 Analogue 4-20mA Modes

The ICM 2.0 provides two analog 4-20mA current loop outputs, A and B. In order to provide the possibility of transmitting more than two parameters, several different modes can be chosen to suit the application.

PRODUCT INSTALLATION

5.4.3.1 Fixed - NAS1638 and RH

The ICM 2.0 result format must be set to NAS1638. The outputs then simply indicate the NAS1638 contamination class and the RH level as follows:

| | | |
|----------|-----------------------------|--|
| Output A | Contamination Code =mA-5 | 4mA NAS 00 5mA NAS 0 6mA NAS 1 ... 17mA NAS 12 20mA OVERRANGE |
| Output B | RH% =(mA-4)*100/16 | 4mA 0% RH 5mA 6.25% RH 20mA 100% RH |

5.4.3.2 Time Multiplexed Schemes

These output the result parameters on a single output (A) in a timed sequence. This mode would be used to read the result parameters in to a PLC. The PLC would need to be programmed to read each parameter at the correct time.

These modes are still under development; please contact MP Filtri for details.

- We output a current <5mA (4.0mA) for 1 second to indicate start of “frame”, this is denoted by <SYNC> in the following examples. The PLC needs to continuously check for this condition so that it can start the timer sequence for acquiring the results.
- Parameters are output in a sequence, one parameter per second until the end of the list.
- We use an “out of range” current of >20mA (24mA) to indicate parameter not available.
- The sequence is then repeated

RH Coding

The RH value is encoded according to the formula:

$$\text{mA} = 6 + (\text{RH}\% / 10)$$

or

$$\text{RH}\% = (\text{mA} - 6) * 10$$

So 0% RH =6mA, 100% RH =16mA (max legal measurement value), unavailable = 24mA

Temperature Coding

The temperature in degrees C is encoded according to the formula:

$$\text{mA} = 10 + (^\circ\text{C} / 10)$$

or

$$^\circ\text{C} = (\text{mA} - 10) * 10$$

NAS1638, AS4059E1, ISO 11218

Parameters are output in the sequence:

<SYNC> <CLASS> <CLASS 5-15um> <CLASS 15-25um> <CLASS 25-50> <CLASS 50-100> <CLASS 100+> <RH> <TEMP>
<...>

These contamination classes are encoded as:

Class = mA -7

For example: Class 00 = 6mA, Class 0 = 7mA, Class 1 = 8mA, ... Class 12 = 19mA, Off scale = 20mA

ISO 4406

Parameters are output in the sequence:

<SYNC> <ISO4> <ISO6> <ISO14> <ISO21> <ISO25> <ISO38> <ISO50> <ISO70> <RH> <TEMP> <...>

ISO 4406 codes are encoded as:

$$mA = 6 + ISO / 2$$

or

$$ISO = 2 \times (mA - 6)$$

So 6mA = ISO 0, 20mA = ISO28

AS4059E2

Parameters are output in the sequence:

<SYNC> <BASIC> <A> <C> <D> <E> <F> <RH> <TEMP> <...>

AS4059E2 contamination codes are encoded as:

$$mA = 6 + (code + 2) / 2$$

or

$$code = 2 \times (mA - 6) - 2 = 2 \times mA - 14$$

So that 6mA = -2 = 000, 6.5mA = -1 = 00, 7.0mA = 0, 7.5mA = 1, 13mA = 12 = max valid reading, 20 mA = over range

PRODUCT INSTALLATION

5.4.3.3 Time Multiplexed Scheme 2

This outputs the parameters as currents, using values designed for viewing directly on a programmable process meter. There is no “sync” value but the final parameter stays on for 2 seconds instead of 1. To avoid confusion the RH channel does not output temperature (just static RH value). The other channel outputs just the overall contamination code value except for ISO 4406 where it cycles between 3 ISO codes.

5.5 Disposal

- All ICM products are sent in a cardboard box with foam inside and these should be recycled accordingly.
- Fluids used with the ICM 2.0 should be fully drained and disposed of according to EU waste framework directive and ISO44001

6 Related Products

6.1 ICMRDU 2.0

The optional ICMRDU 2.0 is a separate accessory product allowing control of an ICM 2.0 that is typically inaccessible via the keypad, display and USB download.

The sensor itself is mounted remotely in another unit (normally a non-screened version). This allows the operator full control of the ICM 2.0.

The ICMRDU 2.0 connects “in between” the incoming supply/serial connections, and the ICM 2.0 sensor. It is “transparent” to the serial communications. This means that a PLC or LPA-View can operate in the usual way to control the ICM 2.0, change settings or download results, without having to unplug the RDU.

Similar components are used for the RDU as for the normal ICM-KU option, so the same instructions apply for operation. See chapter 5.2.2.2 for more details.

The RDU wiring details are shown in figure 5.5.

Please note that the RDU cable provided must be plugged into the right hand (remote) connector of the ICM 2.0 for it to work.

Please note that the RDU only records tests whilst powered up. If tests are run without the RDU connected then they will have to be downloaded directly from the ICM 2.0.

If the ICM 2.0 connected to the RDU has a serial number lower than 1610800, then the power supply must go via the RDU. Serial numbers after 161800 can be powered either via the ICM 2.0 or RDU.

The ICMRDU 2.0 is fully backward compatible with the first revision ICM products.



ACCESSORIES

6.2 ICMUSBI

The USBi is a plug and play solution for easily connecting a computer to the ICM.

It includes a USB:RS485 interface with a terminal block pre-wired with the ICM cable. An extra terminal block is provided for any customer wiring to external devices.

An external DC adapter supplied can be used to power the complete system, or if the computer is always connected during use, power can be taken directly from the USB cable.

Note: Computer should have mains power applied at all times.

Detailed installation and usage instructions are provided in the separate product user guide.



6.3 ICM FC1

A pressure compensated flow control valve suitable for the ICM. This may be needed if the application produces an oil flow that varies outside the upper flow range of the unit.



6.4 Spares

- 11.615 Course screen filter to prevent blockage
- Test Hoses Various hose lengths with M16x2 hydraulic connections on each end, compatible with all ICM fluid types
- Test Points M16x2 test points of various fitting sizes for system installation
- Check Valves Various ratings up to 7 bar and manifold, available for all ICM compatible fluid options.

7 Troubleshooting / FAQ

7.1 Misuse of Product

- The product should be connected to a power supply within the rating of the product and not wired directly to the mains.
- This product should be connected to a hydraulic line; this must not exceed the upper pressure limit of the product
- Connection hoses should never be allowed to lie along the floor when the ICM 2.0 is installed and in use.
- The operator should follow all standard operating procedures previously set at the operating location as well as the procedures required by the manufacturer.
- The ICM 2.0 is not suitable for use in an explosive environment or an ATEX zone, for this refer to the ICM AZ2.
- Over-tightening of test points/ hoses can damage threads causing the unit to fail.
- The product is designed with no moving components. Should it be used outside of its fluid viscosity specification the unit will flag a flow error and invalidate that test result.

7.2 Fault Finding

7.2.1 LED Flashing / Fault Codes

The ICM 2.0 front panel led indicates a fault by a number of white flashes, with a red background. The number of flashes indicates the fault code, the screen version will also display the fault code and function:

1. Optical - An optical fault could indicate LED failure or blockage of the optical path. Try flushing with Petroleum Ether, or return to MP Filtri.
2. Low Flow - The ICM 2.0 estimates the flow by measuring the transition time of the particles. The Low Flow warning indicates that the flow rate is below the minimum recommended level (A). Note that the alarm should be disabled in the settings when used on clean systems, such as flushing/cleaning rigs, where the particle count could reach 14/12/10 or lower.
3. High Flow - The flow rate is above the maximum recommended level. This will degrade the accuracy of the particle counts.
4. Logging - Fault with data logging memory.
5. Water Sensor - Fault with the water sensor.

(A) The unit will still work but may be more susceptible to errors caused by pressure fluctuations. This warning can also come on when there are no particles whatsoever detected, i.e. the fluid is totally “clean”. In this case the correct result e.g. 0/0/0 is still generated.

TROUBLESHOOTING / FAQ

7.2.2 Test Status

The status is shown on the ICM 2.0 screen. This contains a number indicating the current state of the ICM 2.0, according to the table below. This allows a system to remotely monitor the ICM 2.0 operation, if desired, allowing more specific diagnostics (B).

| Value | Function | Comment |
|-------|--------------------|--|
| 0 | NOT READY | Unit is powering up or there is some problem |
| 1 | READY | Unit is powering up or there is some problem |
| 2 | TESTING | Test in progress |
| 3 | WAITING | Waiting between tests (D) |
| 128 | FAULT OPTICAL | LED failure/ sensor blocked/ filled with air |
| 129 | FAULT FLOW LOW | Flow too low for reliable test (E) |
| 130 | FAULT FLOW HIGH | Flow too high for reliable test |
| 131 | FAULT LOGGING | Fault with data logging |
| 132 | FAULT WATER SENSOR | Water sensor failure |

Table 7A

(B) However the fault conditions are also indicated on the front panel LED, while “No Result” in the case of a fault is indicated using special result values as previously described.

(C) User has not set tests to occur automatically.

(D) User has set a non-zero test interval.

(E) Or fluid is totally clean (no particle counts). Flow alarm can be turned off by user if this is a problem, for example cleaning rigs.

7.2.3 Other Faults

Unexpected results obtained from sample

- Check that the microbore pressure hose has been fully connected at both the system and ICM 2.0 ends. NOTE: removing either hose from the ICM 2.0 is not indicative of flow through the ICM 2.0 as the hose end is now at atmosphere. The pressure drop across the ICM 2.0 should be verified, see section 5.1.2.1.
- Confirm that the flow through the ICM 2.0 is within the range of the unit.
- High water / aeration levels

Remote Device dialogue not responding to buttons being pressed

- Check that correct COM port has been selected in the Remote Device dialogue.
- Check USB driver has been installed.
- Disconnect power supply to ICM 2.0 and then reconnect it.

If the ICM 2.0 has been subjected to excessive contamination and a blockage is suspected, a flush with a suitable solvent may clear the blockage.

The standard ICM 2.0 is fitted with Viton® seals, so Petroleum Ether or Iso Propyl Alcohol may be used for this purpose, in conjunction with the MP Filtri Bottle Sampling Unit. See flushing guidelines on supplied product USB.

DO NOT USE ACETONE

7.3 Test Duration

The set Test Duration is the amount of time for which particle counts are accumulated, before the test result is updated. The default of 120 seconds is likely to be suitable for most applications. However it is possible to set other values.

A shorter time enables the unit to respond more quickly to variations in cleanliness. This may be desired in order to reduce the product test time in a production line situation.

A longer test time enables the unit to average out variations in cleanliness and produce a more stable result. This is especially true for the larger particle sizes. In clean systems there are very few of these, so a large amount of fluid needs to be sampled in order to count a statistically significant number.

Another factor is the flow rate. This can be traded off with cycle time, since a higher flow allows the same amount of fluid to be sampled in a shorter time.

“Very Clean” Systems - Longer test times / higher flows are needed.

“Normal” or “Dirty” Systems - Shorter test times or lower flows are acceptable.

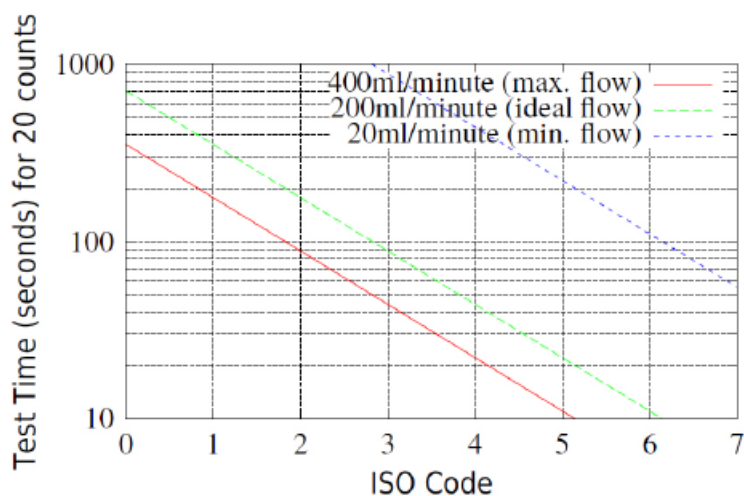


Figure 7.1 Test time needed for reliable indication by ISO code

TROUBLESHOOTING / FAQ

8 Reference

8.1 Further Modbus Information

The ICM 2.0 is a Modbus Slave. That is, it responds only to commands sent to it by the Modbus controller (the Modbus Master). The controller can be a program running on a PC, or a PLC.

Modbus requests are sent to the configured ICM 2.0 node address. If there is only one ICM 2.0 on network segment, then the "Permanent Address" of 204 can be used. If there is more than one, then unique node addresses must be configured for each. NOTE: This is not part of the Modbus specification (and in fact violates it). The ICM 2.0 will always respond on node address 204, in addition to the other set value. This was done so that LPA-View can connect directly without configuration or scanning of the network.

The Master periodically sends a Modbus command "frame" to the ICM 2.0 node address. The ICM 2.0 acknowledges each request with a response frame.

8.1.1 Modbus Registers

The Modbus protocol defines many types of information interchange commands ("function codes"). However in order to simplify implementation the ICM 2.0 only uses one type - the Modbus "Register". Conceptually the ICM 2.0 appears as a collection of Modbus Registers. Each register is numbered - the ICM 2.0 has 125 registers.

Each register holds a number representing some quantity. For example, register number 2 holds a number indicating the ICM 2.0 software revision.

8.1.1.1 Register Numbering

Addresses shown here are those appearing "on the wire". Unfortunately some Modbus controllers may translate these addresses to different ones. For example for some controllers the user will need to use "addresses" starting at 40000 instead of 0.

The ICM 2.0 uses the registers from 0-124 (this allows all registers to fit in a single Modbus frame). Registers can be divided into classes as follows:

Status Registers - these are 'read only' registers that indicate test results and ICM 2.0 status. They can be read freely at any time (although test results are only valid after a successful test).

Setting Registers - these are read-write registers used to hold the ICM 2.0 settings. Take care not to inadvertently write to any of these registers since the ICM 2.0 settings will be altered!

Calibration Registers - Some registers, not documented here, are protected settings that can only be altered during factory calibration.

REFERENCE

| Number | Function | Units | Representation |
|---------|-------------------------------|---------|-------------------------------|
| 0 | Product ID | - | Unsigned integer |
| 1 | Protocol ID | - | Unsigned integer |
| 2 | Firmware Version | x100 | Unsigned integer |
| 3 | Hardware options | - | Bitmap |
| 4-5 | Machine Serial Number | - | 32 bit unsigned integer |
| 6 | Modbus Address | - | Integer |
| 7 | Ignore Initial N | - | Unsigned integer |
| 8-9 | Test Number | - | 32 bit integer |
| 10-17 | Test Reference | - | Array of 16 packed characters |
| 18 | Test Duration | - | Unsigned integer |
| 19 | Test Format | - | - |
| 20 | Test Mode | - | - |
| 21 | Command | - | Unsigned integer |
| 22-23 | Test Interval | S | Unsigned 32 bit integer |
| 24-25 | Date/Time | Date | Unsigned 32 bit integer |
| 26 | Alarm Mode | - | Unsigned integer |
| 27 | Reserved | - | - |
| 28 | Faults | - | - |
| 29 | Reserved | - | - |
| 30 | Status | - | Unsigned integer |
| 31 | Status Flags | - | - |
| 32 | LED Level | - | Unsigned integer |
| 33 | Temperature | °C x100 | - |
| 34 | RH | % x100 | - |
| 35 | Peak Pulse | - | Unsigned integer |
| 36 | Test Completion | - | Unsigned integer |
| 37 | Flow Indication | - | - |
| 38-39 | Reserved | - | - |
| 40-55 | Particle Counts | - | - |
| 56-63 | Result Codes | - | - |
| 64-71 | Contamination Limit Upper | - | - |
| 72-79 | Contamination Limit Lower | - | - |
| 80 | Limit Water Upper | % x100 | signed integer |
| 81 | Limit Water Lower | % x100 | signed integer |
| 82 | Limit Temperature Upper | °C x100 | signed integer |
| 83 | Limit Temperature Lower | °C x100 | signed integer |
| 84-85 | Log Interval | Seconds | Unsigned 32 bit integer |
| 86-87 | Last Download | Date | Unsigned 32 bit integer |
| 88 | Language | - | Unsigned integer |
| 89-116 | Reserved | - | - |
| 117-118 | Calibration Due | Date | Unsigned 32 bit integer |
| 119-120 | Calibration Last | Date | Unsigned 32 bit integer |
| 121 | Reserved | - | - |
| 122 | Calibration LED Level Last | - | - |
| 123 | Calibration LED Level Initial | - | - |
| 124 | Reserved | - | - |

Table 8A Modbus Register Map

8.1.1.2 Representations

Modbus Registers - All quantities are represented using Modbus registers. Modbus registers are 16 bit (0-65535 decimal or 0-0xFFFF in hexadecimal notation).

Unsigned Integers - These are simply single Modbus registers. Each can take values from 0 to 65535. They may be simple numeric quantities such as "test time in seconds". They can also be enumerations such as "result format" where "0" means ISO 4406, "1" means NAS1638 etc.

Signed Integers - These are used for quantities that may become negative, such as °C. They are also used for result codes using formats similar to NAS1638, where we have to represent the NAS "00" class as -1, and "000" as -2.

Signed integers are represented in single Modbus registers using the "twos complement" standard, as usual in computing. If a user-written program incorrectly interprets a signed integer as unsigned, then positive numbers will still be interpreted correctly. However, small negative numbers will appear as large positive ones. In particular, -1 appears as 65535 and -2 as 65534. These might be seen when interpreting the NAS codes mentioned above.

Take care when writing software dealing with NAS codes or Temperature measurements.

32 Bit Unsigned Integers - Some quantities are (or may become) too large to fit into a single 16-bit register. For example the Test Number could eventually increment to more than 65535. These items are represented using two consecutive registers; the combination makes up a 32-bit integer. For example, the value of such a 32 bit unsigned integer stored in registers 8-9 may be calculated using the formula:

$$\text{Value} = (65536 \times (\text{register } 8)) + (\text{register } 9)$$

Bitmaps - Bitmaps are again single 16-bit Modbus registers, but they have a special interpretation. Each "bit" in the register has a separate function. The most important example is the "status flags" register (31). Each register bit encodes a separate function, for example "result valid", "new result", "over temperature alarm" etc. In this document bits are numbered starting with bit 0 = least significant bit.

A user programming environment such as a PLC programming system or a high level computer language will normally have functions that allow easy access of individual bit values in a register.

Arrays - An Array is simply a sequence of objects packed in consecutive registers. For example the "result codes" are in an array of 8 registers. Code [0] is in register 56, code[1] is in register 57 etc.

In the case of an array of 32-bit integers, each element itself takes up 2 registers, so there are twice as many registers used as elements in the array. In the case of the particle counts array, there are 8 particle sizes counted so these are stored in $8 \times 2 = 16$ registers.

Packed Characters - These are used to encode the user-settable "test reference" string, used to label each test. Characters are packed two per Modbus register. This will probably not be used in a user-written Modbus program, but in principle the test reference could be set to a different value for each test. The test reference string consists of 16 characters packed into an array of 8 consecutive registers.

Date/Time - A "Date" represents a calendar date and time as a 32 bit unsigned integer (it is the number of seconds since Jan 1 1970). User programs will not generally have to deal with this, but in principle they could e.g. read or set the real time clock from registers 24-25. It can be useful during development to be able to read the clock and see a continuously incrementing value of seconds.

REFERENCE

8.1.1.3 Register Functions

8.1.1.3.1 Test Mode

Factory set value: 0

This is the “test mode”, each bit represents an option corresponding to a tick box on the ICM 2.0 settings screen (see our LPA-View software and in the ICM 2.0 manual).

Each bit of the register encodes one tick box.

The factory set mode is 0 for all bits, so all the tick boxes are turned off. You may want to turn on bit 8 (disable low flow alarm when clean) if you have a very clean system.

| Bit | Function | Comment |
|-----|----------------------------|--|
| 0 | CYCLE_CONTINUOUS | Continuous Testing |
| 1 | START_TEST_AUTOMATICALLY | Start Testing Automatically |
| 2 | CONTINUOUS_STOP_WHEN_CLEAN | Stop Testing When Clean |
| 3 | CONTINUOUS_LOG_EVERY_TEST | Continuous Mode: Log Every Test |
| 4 | CONTINUOUS_CONFIRM_TARGET | Repeat final test to confirm target level achieved |
| 5 | RESERVED | - |
| 6 | RESERVED | - |
| 7 | SIMULATE | Produces simulated test results |
| 8 | LOW_FLOW_CLEAN_DISABLED | Prevents spurious low flow alarms on clean systems |

Table 8B Test Mode Register Bit Definitions

There is some general information about what these options do in section 5.4.

8.1.1.3.2 Command Register

This is register 21. It is special in that writing a number to this register does not store the number, but instead commands the ICM 2.0 to perform a function according to the number written. The main command is “START”, but the others are documented here for completeness and avoidance.

| Bit | Function | Comment |
|-----|--------------------|-----------------------------------|
| 1 | START TEST | Start or Restart a test |
| 2 | RECALCULATE | - |
| 3 | FORCE OUTPUT 1 ON | - |
| 4 | FORCE OUTPUT 1 OFF | - |
| 5 | FORCE OUTPUT 2 ON | - |
| 6 | FORCE OUTPUT 2 OFF | - |
| 7 | TEST MODE ON | Flashes LED and exercises outputs |
| 8 | TEST MODE OFF | - |
| 9 | STOP | Abort a test in progress |
| 10 | LOG ERASE | Caution! |
| 11 | LOG SEEK END | - |
| 12 | LOG SEEK PREVIOUS | - |

Table 8C Command Register

8.1.1.3.3 Status Register

This is read-only register 30. It contains a number (an enumeration) indicating the status of the ICM 2.0. See table 7A.

8.1.1.4 Bitmap Functions

8.1.1.4.1 Status Flags Bitmap

This is read-only register 31. It represents the states of various items in a bitmap format.

- Bits 0-2 are so that external equipment (for example LPA-View or a PLC/MMI) can display, update and log results intelligently.
- Bits 3 and 4 can be used to monitor the test progress.
- Bits 5-10 are used to generate alarms. Depending on the selected alarm mode, they operate the alarm relay output(s). But they can also be monitored directly by a PLC/MMI program and used to drive indicators, for example.
- Bit 11 is used internally to detect that the ICM 2.0 is being controlled by Modbus (from a PLC or by LPA-View).
- Finally Bits 12-14 reflect the state of the ICM 2.0 "start signal" input and alarm output relays.

| Bit | Function | Comment |
|-----|----------------|---------------------------------|
| 0 | RESULT_VALID | Current result is valid |
| 1 | RESULT_NEW | A new result is available |
| 2 | RESULT_LOG | Current result should be logged |
| 3 | TESTING | Test in progress |
| 4 | COMPLETE | Test is complete |
| 5 | ALM_HI_COUNT | High particle count alarm |
| 6 | ALM_HI_H2O | High water content alarm |
| 7 | ALM_HI_TEMP | High temperature alarm |
| 8 | ALM_LO_COUNT | Low particle count alarm |
| 9 | ALM_LO_H2O | Low water content alarm |
| 10 | ALM_LO_TEMP | Low temperature alarm |
| 11 | REMOTE_CONTROL | Unit is under remote control |
| 12 | IO_IP | Start signal input |
| 13 | IO_OP1 | Alarm output 1 |
| 14 | IO_OP2 | Alarm output 2 |
| 15 | UNUSED | Not currently used |

Table 8D Status Flags

REFERENCE

8.1.1.4.2 Fault Flags Bitmap

This is read-only register 28 (firmware 0.43 or higher required). It represents detected device or installation faults in a bitmap format. The faults are also available as result codes in the status register; however those are transient and may only appear briefly before a new test is started.

The fault bits here remain until the end of the next test (where they may be cleared if the fault has gone).

| Bit | Function | Comment |
|-----|---------------|--------------|
| 0 | OPTICAL FAULT | See table 8A |
| 1 | LOW FAULT | See table 8A |
| 2 | HIGH FAULT | See table 8A |
| 3 | DATA LOGGING | See table 8A |
| 4 | WATER SENSOR | See table 8A |

8.1.2 Implementing Modbus

This section is for advanced users who wish to do their own programming to implement the Modbus controller. It is not needed if the users control system already has direct support for being a Modbus master. The following describes a minimal system capable of periodically reading data from the ICM 2.0; it is not intended as a general purpose Modbus implementation.

For a background to this section the implementer can review the Modbus source documents:

http://www.modbus.org/docs/Modbus_over_serial_line_V1.pdf
http://www.modbus.org/docs/Modbus_Application_Protocol_V1_1b.pdf

In order to collect data from the ICM 2.0, the users control system needs to be able to send a Modbus command frame and receive a response frame via the RS485 signals.

A frame consists of a sequence of bytes, transmitted back-to-back over the RS485 interface.

A command frame can be generated corresponding to a Modbus "read registers" command. Using hexadecimal notation, the sequence required to return all registers would be a sequence of 8 bytes:

<0xCC> <0x04> <0x00> <0x00> <0x00> <0x7D> <0x20> <0x36>

This sequence is decoded by the ICM 2.0 as:

<0xCC> = <slave address>

<0x04> = <function code:read registers>

<0x00> <0x00> = <start register high> <start register low> (2 bytes)

<0x00> <0x7D> = <number of registers high> <number of registers low> (2 bytes)

<0x20> <0x36> = <checksum high> <checksum low> (2 bytes)

The ICM 2.0 will then return a 255 byte long response frame containing the requested register contents.

This 255 byte response frame looks like:

<0xCC> <0x04> <0xfa> <250 bytes of data> <2 bytes of checksum>

The <250 bytes of data> contains the contents of the 125 registers requested. Each 16 bit register is encoded in two sequential bytes, in high-low ("big-endian") order.

The simplest method is then to read the required registers directly out of the data area of this response frame. For example, the ICM 2.0 product ID code appears in Modbus register 0. This would therefore appear in the first two bytes of the data area above, or at the 4th and 5th bytes counting from the start of the frame. In a programming language like "C" the product ID could be extracted from an array containing the frame using a statement like:

```
unsigned product_id = 256*buf[3+0] + buf[3+1];
```

Users of PLCs or other programming languages will hopefully be able to translate using the information provided here.

The ICM 2.0 product ID is 0xD3DD (hexadecimal) or 54237 (decimal). This fact can be used as a check when attempting the above implementation.

Finally we come to extracting the test result. Referring to the ICM 2.0 Modbus register map, the test result codes appear in registers 56-63. In the case of NAS1638, the overall NAS code is in register 56. So a program can extract the overall NAS code from the result frame using logic equivalent to the "C" language expression:

```
unsigned NAS = 256*buf[3 + 56*2 + 0] + buf[3 + 56*2 + 1]
```

This is a statement in the "C" programming language that reads the 116th and 117th bytes of the response frame, and forms a 16 bit number from these two 8 bit bytes. This reads modbus register 56, the NAS code.

Similar expressions can be used to read the other registers according to the data required.

For PLC users the details will be dependent on their own programming environment and facilities. But hopefully the above can be used as a guide for their own implementation.

8.2 Further CANbus Information

8.2.1 Example Walkthrough

Real applications will generally have an existing CAN network, but in this chapter we show how the ICM 2.0 can be connected to a PC using a USB:CAN adaptor.

The adaptor used in this example is the "PCAN-USB", available from Peak System Technik GmbH or a distributor.

REFERENCE

We also need to make up a special cable to connect this to the ICM 2.0.



Figure 8.1 PCAN-USB CANbus to USB Adaptor

8.2.1.1 Equipment Required

- ICM 2.0 with CANbus capability
- PCAN-USB USB:CAN Adaptor
- ICM-USBi interface for initial ICM 2.0 setup
- PC with USB ports running Windows
- Special made-up CANbus cable detailed below
- 12 or 24 Volt DC power supply

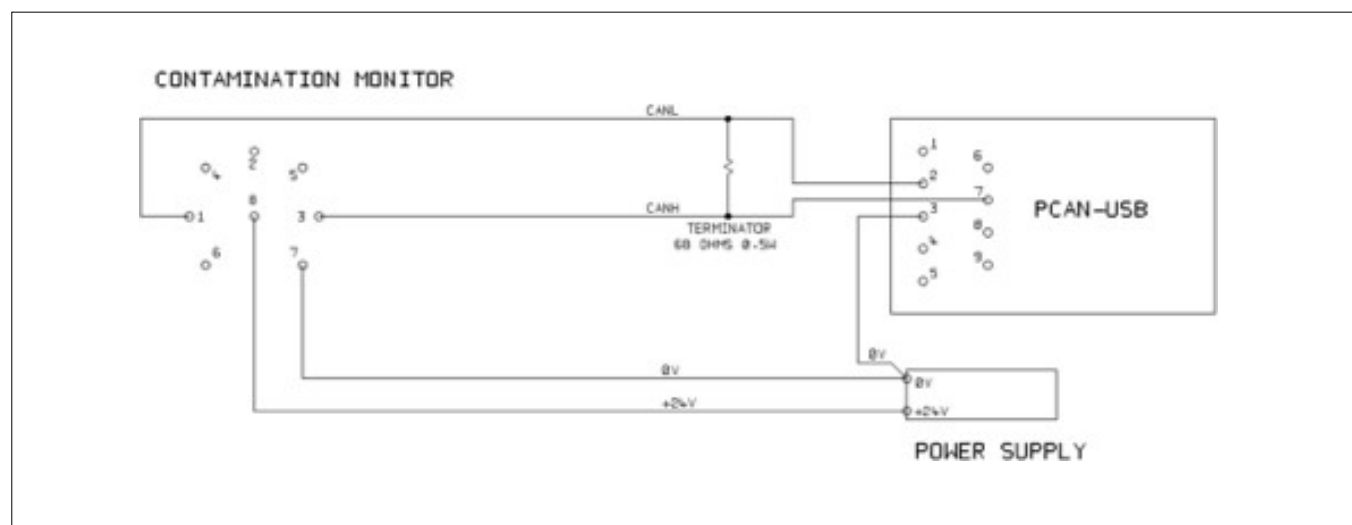


Figure 8.2 Connecting the ICM 2.0 to the PCAN-USB Adaptor

The "TERMINATOR" resistor shown simulates the combined effect of the bus termination resistors normally used on either end of a CANbus network. It's value is not critical, anything from 50-150 ohms will work.

8.2.1.2 Initial Configuration

Initially we connect using the ICM-USBi interface so that the ICM 2.0 can be comfortably configured using LPA-View. Detailed information is provided earlier in the user guides but the general procedure is:

- Install LPA-View
- Plug in the ICM-USBi
- The "Hardware Found" wizard will appear. If you have an Internet connection you can let Windows Update install the driver, otherwise point the wizard to the drivers provided.
- Plug the ICM 2.0 into the ICM-USBi
- Start LPA-View
- Select Tools/Remote Control to connect to the ICM 2.0.

8.2.1.2.1 Suggested General Settings

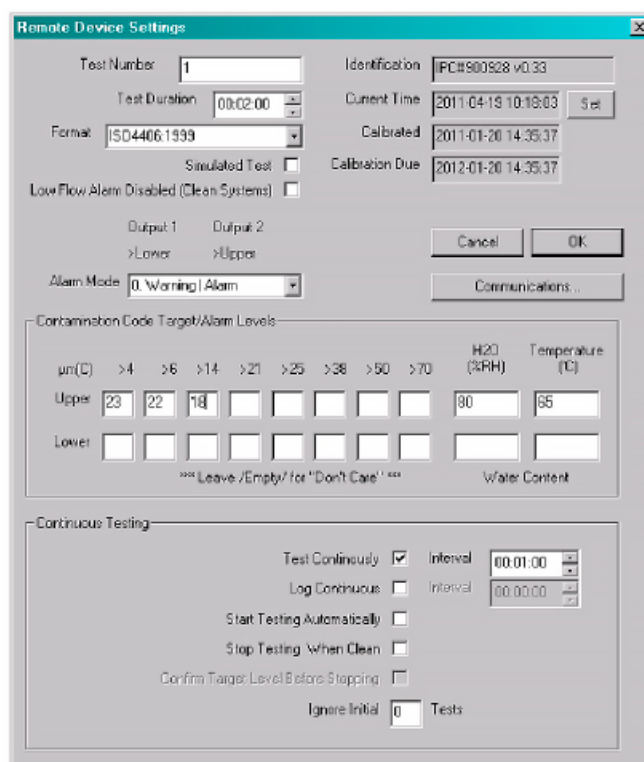


Figure 8.3 General Settings

Press the Settings button to open the Settings dialogue. The important settings for this walk-through are:

- Test Duration; 10 seconds
- Test Continuously: On, interval 0.
- Start Testing Automatically: On
- Stop Testing When Clean: Off
- Simulate Test: On

NOTE: Simulate Test will cause fictitious test results to be generated in order to test communications and demonstrate the unit. Do not forget to turn this off before deploying in a real application!

REFERENCE

8.2.1.2.2 Suggested Communication Settings

Press the “Communications...” button to open the Communications dialogue. See figure 8.4.

Select the Interface, Node Number and Baud Rate as shown, then press “Use Defaults” to assign the “base address”. This will define the start of the block of CAN message identifiers used by the software (using a value compatible with the J1939 standard).

Press the OK button on the “Communications Settings” and “Remote Device Settings” dialogues. Leave the Remote Control dialogue open.

Now check that the ICM 2.0 is now set to automatically perform tests:

- Unplug the ICM 2.0 circular connector
- Plug it back in
- You should see the connection re-established on the Remote Control dialogue within a few seconds.
- A test should have been automatically started
- The tests should repeat every 10 seconds
- You should see a test result that starts high and decreases with each further test.

Close the Remote Control dialogue and quit the program. Unplug the ICM 2.0 at the circular connector.

8.2.1.3 PCAN-USB Software

The PCAN-USB adaptor comes with a software CD. This includes a simple CANbus diagnostic utility called “PCAN-View USB”. This should be installed from the CD.

Connect the ICM 2.0 to the computer using the special made-up cable and the PCAN-USB. Power-up the ICM 2.0 by turning on the power supply.

Upon connecting the PCAN-USB and starting PCAN-View, the Connect dialogue is presented.

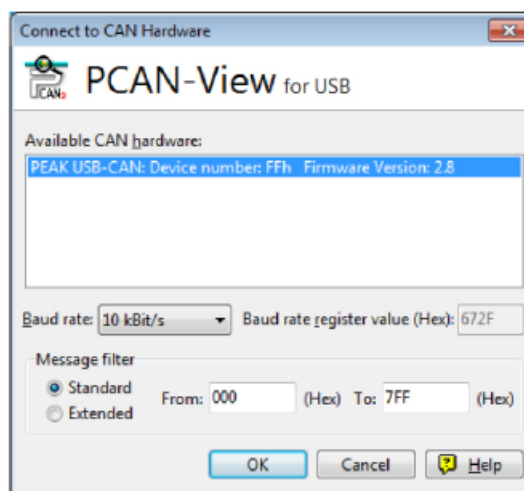


Figure 8.4 PCAN-View Connect Dialogue

Select a baud rate to match that being used on the ICM 2.0, for example 250k. Select the “Extended” message filter (so that 29 bit identifiers are used). Press OK to go to the main PCAN-View screen.

8.2.1.3.1 Simulated Tests

Plug the ICM 2.0 into its circular connector. It should power up and start performing a test. If everything is working, after about 20 seconds you should see CAN messages similar to that shown below. This shows the 2nd result received. The first 3 bytes 0x17, 0x15, 0x13 show the 3 ISO codes (the display is in hexadecimal (base16) so the actual code is 23/21/19).

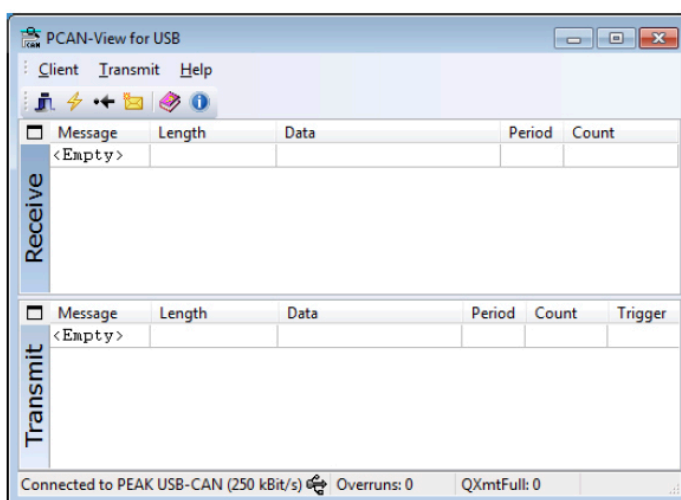


Figure 8.5 PCAN-View Main Screen

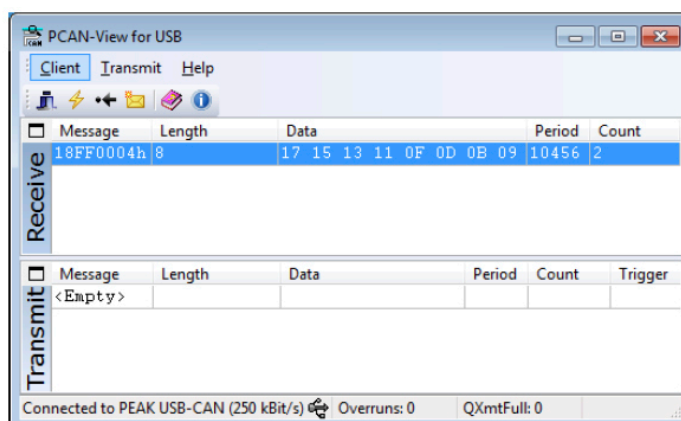


Figure 8.6 Reception of a Test Result Codes Message

8.2.2 Messages

8.2.2.1 CAN2.0B and J1939

The ICM 2.0 CANbus implementation is designed to be interoperable with J1939 networks. This is done by restricting CANbus message IDs to those within the proprietary ranges allocated by J1939. Advanced J1939 features have been avoided, so that customers not using J1939 will also be able to communicate using “generic” CANbus frames. For non-J1939 users the only requirement is that their network should support CAN2.0 (29 bit identifiers).

Broadcast messages use the J1939 PDU2 format. These are transmitted periodically to communicate the ICM 2.0 status and the latest test results.

REFERENCE

Peer-to-peer messages use the J1939 PDU1 format. These are used to control the ICM 2.0. These are generally optional; customers may opt to leave the ICM 2.0 automatically testing and broadcasting results.

| | |
|-------------------------------------|---|
| Node Address (PDU1) | 0x3F (J1939 "Oil Sensor") |
| Command & Configuration Message PGN | 0xEF3F |
| Broadcast Messages PGNs | 0xFFB5 - 0xFFB9 |
| Default Broadcast Interval | 1s |
| Data Page | 0 |
| Priority | 6 |
| PDU Format/ PDU specific | Derived from PGN |
| Byte Endianness | All data is on little-endian byte order |

Table 8F CANbus Parameters for J1939 Interoperation

8.2.2.2 Non-J1939 CAN2.0B Users

- Taken together these imply a generic CAN "base address" of 0x18FFB53F.
- Command and control messages can then be sent to CAN address 0x18EF3F00.

8.2.2.3 CAN2.0A and CanOpen

On CanOpen networks the results need to be transmitted as "process data objects" (PDOs) from the "predefined connection set". In order to do this, ensure that the set base address is equal to (0x180 + node number). For example, 0x182 to make the ICM 2.0 node address 2.

8.2.2.4 CANbus Message List

The message ID numbers shown are examples only and are dependent on the set base address. For CAN2.0A/CanOpen we have an example base address of 0x182. So you see "2" as the last digit of the entire message IDs. CanOpen interprets this as the device node number. For CAN2.0B/J1939 we have an example base address of 0x18FFB53F. The equivalent node number is "3F" so you see this appear in all the message IDs. For other node numbers change the set base address value as required. CanOpen has node numbers from 0x01 to 0x7f. J1939 has node numbers from 0x01 to 0xff.

| Parameter Name | CAN2.0A ID | CanOpen PDO | CAN2.0B ID | J1939 PGN |
|----------------|------------|----------------|------------|-----------|
| Result Codes | 0x182 | Transmit PDO 1 | 0x18FFB53F | 0xFFB5 |
| Status | 0x282 | Transmit PDO 2 | 0x18FFB63F | 0xFFB6 |
| Water Sensor | 0x382 | Transmit PDO 3 | 0x18FFB73F | 0xFFB7 |
| Commands | 0x202 | Receive PDO 1 | 0x18EF3F00 | PDU1 |

Table 8G CANbus Messages

8.2.2.4.1 Message: Result Codes

This message is transmitted after each test.

The test result is expressed as a set of codes in the selected Test Format (ISO 4406, NAS1638 etc.). The test result message is always 8 bytes long, with the result codes packed as follows:

| Format: Byte | ISO 4406 Code | AS4059E Table 2 Class | NAS1638/ AS4059E Table 1/ ISO 11218 (Draft) Codes/ Classes |
|--------------|-----------------------------|-----------------------|--|
| 1 | $\geq 4 \mu\text{m}_{(c)}$ | Basic | Basic |
| 2 | $\geq 6 \mu\text{m}_{(c)}$ | - | - |
| 3 | $\geq 14 \mu\text{m}_{(c)}$ | A | 5-15 $\mu\text{m}_{(c)}$ |
| 4 | $\geq 21 \mu\text{m}_{(c)}$ | B | 15-25 $\mu\text{m}_{(c)}$ |
| 5 | $\geq 25 \mu\text{m}_{(c)}$ | C | 25-50 $\mu\text{m}_{(c)}$ |
| 6 | $\geq 38 \mu\text{m}_{(c)}$ | D | 50-100 $\mu\text{m}_{(c)}$ |
| 7 | $\geq 50 \mu\text{m}_{(c)}$ | E | >100 $\mu\text{m}_{(c)}$ |
| 8 | $\geq 70 \mu\text{m}_{(c)}$ | F | - |

NOTE: The 'basic' class is the highest of the individual size classes.

ISO 4406 only defines codes for the first 3 sizes 4, 6 and 14 $\mu\text{m}_{(c)}$, we extend the concept to cover the other sizes.

This allows limits to be set on the number of large particles, even when using the ISO 4406 coding system.

8.2.2.4.1.1 Special Values

The result codes use a few "special" values in order to represent codes that are not simple numbers.

The NAS1638 standard defines classes "00" and "000", these are classes "cleaner" than class 0. We represent these using signed integers of value -1 and -2 respectively (these will appear as 255 and 254 if read as unsigned integers).

8.2.2.4.2 Message: Status

The message is transmitted every 1 second so that it can be used as a "heartbeat".

However if no test has been performed yet, the ICM 2.0 will wait until it sees other CANbus activity before sending anything.

| Byte | Bit | Length | Type | Item |
|------|-----|--------|----------|--------------|
| 1-4 | 1 | 32 | Unsigned | Test Number |
| 5 | 1 | 8 | Unsigned | Status Code |
| 6 | 1 | 8 | Unsigned | Completion |
| 7-8 | 1 | 16 | Bitmask | Status Flags |

Test Number - The current Test Number is an auto-incremented integer or can also be set as part of the Test Start command. This is used to distinguish tests / circuits.

Status Code - This is a number used to indicate the current state of the ICM 2.0, or a fault code in the case of a problem being detected. The codes are listed in Table III. This allows a system to remotely monitor the ICM 2.0 operation, if desired, allowing more specific diagnostics.

REFERENCE

Completion - A number between 0 and 100 indicating the progress of the test. This will increase from 0 to 100 during the set test time. It can be used to drive a progress indicator.

Status Flags - This is a group of flags indicating test status.

8.2.2.4.2.1 Status Flags Bitmask

This is identical to table 8D.

Bits 0-2 are so that external equipment (for example LPA-View or a PLC/MMI) can display, update and log results intelligently

Bits 3 and 4 can be used to monitor the test progress.

Bits 5-10 are used to generate alarms. Depending on the selected alarm mode, they operate the alarm relay output(s). But they can also be monitored directly by a PLC/MMI program and used to drive indicators, for example.

Bit 11 is used internally to detect that the ICM 2.0 is being controlled by Modbus (from a PLC or by LPA-View).

Finally bits 12-14 reflect the state of the ICM 2.0 "start signal" input and alarm output relays.

8.2.2.4.3 Message: Water Sensor

| Byte | Bit | Length | Type | Item |
|------|-----|--------|----------|-----------------------|
| 1 | 1 | 8 | Unsigned | RH% |
| 2 | 1 | 8 | Signed | Temperature degrees C |

8.2.2.4.4 Message: Commands

Various commands can be sent to the ICM 2.0 via CANbus. For J1939 networks Peer-to-Peer (PDU1) Messages are used. For CanOpen networks Receive Process Data Objects are used.

| Byte | Bit | Length | Type | Item |
|------|-----|--------|----------|---------------------|
| 1 | 1 | 8 | Unsigned | Command Byte (0x00) |
| 2 | 1 | 8 | enum | (0, 1, 2, ...) |
| 3-6 | 1 | 32 | Unsigned | Parameter |

| enum | Function | Parameter |
|------|------------------|-----------------------------------|
| 1 | Start Test | None |
| 9 | Stop Test | - |
| 13 | Start Test | Fixed Test Number |
| 14 | Format ISO 4406 | Set ISO 4406 result format |
| 15 | Format NAS1638 | Set NAS1638 result format |
| 16 | Format AS4059_E2 | Set AS4059E Table 2 result format |
| 17 | Format AS4059_E1 | Set AS4059E Table 1 result format |
| 18 | Format ISO11218 | Set ISO11218 result format |

8.3 Hydraulic System Target Cleanliness Levels

Where a hydraulic system user has been able to check cleanliness levels over a considerable period, the acceptability, or otherwise, of those levels can be verified.

Thus if no failures have occurred, the average level measured may well be one which could be made a bench mark. However, such a level may have to be modified if the conditions change, or if specific contaminant-sensitive components are added to the system. The demand for greater reliability may also necessitate an improved cleanliness level.

The level of acceptability depends on three features:

- The contamination sensitivity of the components
- The operational conditions of the system
- The required reliability and life expectancy

| Contamination Codes ISO4409:1999 | | | Corresponding Codes NAS1638 | Recommended Filtration Degree | Typical Applications |
|-------------------------------------|--------------------------|---------------------------|-----------------------------------|----------------------------------|--|
| 4 μ m _(c) | 6 μ m _(c) | 14 μ m _(c) | - | 8x200 | - |
| 14 | 12 | 9 | 3 | 3 | High precision and laboratory servo-systems |
| 17 | 15 | 11 | 6 | 3-6 | Robotic and servo-systems |
| 18 | 16 | 13 | 7 | 10-12 | Very sensitive high-reliability systems |
| 20 | 18 | 14 | 9 | 12-15 | Sensitive reliable systems |
| 21 | 19 | 16 | 10 | 15-25 | General equipment of limited reliability |
| 23 | 21 | 18 | 12 | 25-40 | Low pressure equipment not in continuous service |

REFERENCE

8.4 Clean Working Practices

The majority of hydraulic systems require cleanliness which controls below around a 40 micron threshold (beyond the limit of human eyesight). When analysing particles down to levels of 4, 6 and 14 $\mu\text{m}_{(c)}$ you are talking about objects of a cellular/bacterial size. This creates various challenges, and is starting to drive better and cleaner working practices in industry. Our products are at the forefront of this challenge, and will help you to manage the quality and productivity of your systems.

Do

- Do use filter breathers on tank tops
- Do use tank designs, which are self-draining (sloped or conical).
- Do use tanks which can be sealed off from the surrounding environment.
- Do exercise care and use funnels when filling tanks with fluid.
- Do utilize stainless steel and methods such as electro-polishing in the design of system components upstream of your first filter set.
- Do perform off-line analysis in a controlled environment such as a laboratory which should contain fewer airborne contaminants than where the sample was taken from.
- Do use suitable, glass bottles (ideally certified clean) to take samples, along with a hand pump to reduce contamination ingress.
- Do filter your system thoroughly before using it in your production process.
- Do perform a statistically large enough sample of particle analysis results (25) to arrive at a base cleanliness level for your system.
- Do make sure that filters are correctly sized for your applications and cleanliness you are trying to achieve.

Don't

- Don't eat, drink or smoke around critical systems/processes.
- Don't leave tools, objects, clothing or other materials etc. on surfaces or tanks of critical systems.
- Don't use open tanks on critical systems.
- Don't take samples or perform on-line analysis from the top of a reservoir/tank.
- Don't design/use tanks which contain crevices (internal corners etc.).
- Don't assume that if a sample looks clean, that it is. You won't be able to see the contaminants.
- Don't perform off-line analysis in an "un-controlled" environment. E.g. workshop
- Don't rely on a single test for a capable representation of your system.
- Don't start using your system/process until it has gone through a commissioning period whereby contamination levels are relatively stable.
- Don't mix fluids into the same system. They can emulsify and eliminate any chance of a reliable particle count.
- Don't use unsuitable containers to take a fluid sample.



SERVICE / RE-CALIBRATION

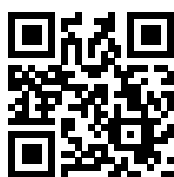
9 Service and Recalibration

| | |
|---------------|---|
| Warranty | The ICM 2.0 is guaranteed for 12 months from date of receipt. See section 3 for further details. |
| Recalibration | The ICM 2.0 is recommended to be recalibrated every 12 months. Return to MP Filtri for recalibration. |

10 Fault diagnosis and reporting

10.1 Diagnosing suspect ICM 2.0 readings

Most installation issues and service problems can be resolved quickly and easily by following the steps outlined in our online video installation guide. It can be found here:



<https://youtu.be/wWf3NyWKQCc> (Step 1)



<https://youtu.be/cdZBjlqvgnQ> (Step 2).

You can also visit Youtube and search for MP Filtri ICM 2.0 installation guide.

If the video does not solve your problem, then please contact us - **you will need to supply us with your Product Part Number and Product Serial Number.**

FAULT DIAGNOSIS AND REPORTING

To enable us to offer a fast, responsive service, it will be helpful if you can supply the following information:

Product Part number ICM 2.0:

Product Serial number:

| | |
|---|--|
| Application | Powerpack, Filter Trolley, System Application, other |
| Industry | Aerospace, Mobile, Industrial, Marine, Oil and Gas, Automotive, other |
| Installation | Permanently Installed, Mobile, other |
| Fluid type | Mineral, Synthetic, Bio-degradable, Subsea Fluid, Water, Diesel, other. Please name and supply material data information for compatibility with internal seals and wetted internal parts |
| Viscosity | 0-1000 cSt |
| System Pressure | bar/PSI - Min/Max. Variable pressure / Static pressure |
| How is ICM 2.0 installed? | Pressure line back to reservoir, Pressure line back to system, Return line back to reservoir, other |
| Known differential pressure between ICM 2.0 inlet and ICM 2.0 outlet | |
| Connection type | M16x2 test point connections, Microbore hose, ¼ inch fittings, ¼ inch hose, other |
| Length of Fitted Hoses | Inlet / Outlet |
| Pressure inlet to ICM 2.0 | bar/PSI |
| Pressure outlet from ICM 2.0 | bar /PSI |
| Any check valves / Flow control valves / Needle valves fitted | |
| Check Valve values | bar/Pressure |
| Indicated flow through ICM 2.0 | |
| Volume of oil in application | Litres /Gallons |
| Pump flow | Lpm /Gallons per minute |
| Type of filtration installed | Pressure, Return, Offline, other. If offline what is the pump flow rate of filter unit - 5 lpm, 10 lpm, 20 lpm, other |
| Filtration micron rating | 3 micron, 6 micron, 10 micron, other |
| Flow through filter during system operation | Lpm /Gallons per min |
| System operation per day | 8 hours, 16 hours, 24 hours, other |
| Intended cleanliness range | |
| Actual cleanliness range | |
| Ambient temperature range | |
| System Temperature range | |
| Moisture content if applicable | 0-100 % |
| Reason for suspecting errors /fault | Why do you think the ICM 2.0 is not reading correctly |
| Has a Laboratory analysis been carried out? | If yes please supply results and report |
| Pictures of ICM 2.0 screens | Screen 1 - ISO /NAS Screen; Screen 2 -Last 10 readings; Screen 3 - Particle count distribution |
| Download and send all particle counts from LPA-view | |
| Pictures of application | |
| Any Faults showing on ICM 2.0 screen | e.g Optical fault, High Flow, Low flow, No readings (-/-/-) |
| Optical fault What is LED value | What is LED value |
| Notes and Comments | |

The data and information contained in this publication are provided only for the purpose of information.
MP Filtri reserves the right to make changes to the models and versions of the products described at any time,
both for technical and commercial reasons.

The colours and photographs of the products are purely indicative.
Any reproduction, partial or total, of this document is strictly prohibited.
Rights reserved.



WORLDWIDE NETWORK

HEADQUARTERS

MP Filtri S.p.A.
Pessano con Bornago
Milano
Italy
sales@mpfiltri.com

BRANCH OFFICES

ITALFILTRI LLC
Moscow
Russia
mpfiltrirussia@yahoo.com

MP Filtri Canada Inc.
Concord, Ontario
Canada
sales@mpfiltricanada.com

MP Filtri France SAS
Lyon
AURA
France
sales@mpfiltrifrance.com

MP Filtri Germany GmbH
St. Ingbert
Germany
sales@mpfiltri.de

MP Filtri India Pvt. Ltd.
Bangalore
India
sales@mpfiltri.co.in

MP Filtri Middle East FZCO
Dubai
U.A.E.
sales-me@mpfiltri.com

MP Filtri SEA PTE Ltd.
Singapore
sales-sea@mpfiltri.com

MP Filtri (Shanghai) Co., Ltd.
Shanghai
P.R. China
sales@mpfiltrishanghai.com

MP Filtri U.K. Ltd.
Vale Park
Evesham
United Kingdom
sales@mpfiltri.co.uk

MP Filtri U.S.A. Inc.
Quakertown, PA
U.S.A.
sales@mpfiltriusa.com

PASSION TO PERFORM



mpfiltri.com